

SECTION 9 - COOLING AND HEATING 9-1

Group 9

COOLING AND HEATING

Contents

Title	Section	Page
Radiator and Support Mounting	9-1	9-2
Fan Shroud Assembly (6 Cylinder)	9-2	9-2
Radiator Hoses and Transmission Cooling Lines, 6 Cylinder	9-3	9-4
Radiator Hoses and Transmission Cooling Lines, 8 Cylinder	9-4	9-4
Fans, Pulleys and Belts, 6 Cylinder, Non-California	9-5	9-6
Fans, Pulleys and Belts, 6 Cylinder, Non-California With Air Conditioning	9-6	9-6
Fans, Pulleys and Belts, 6 Cylinder, California	9-7	9-8
Fans, Pulleys and Belts, 6 Cylinder, California With Air Conditioning	9-8	9-8
Fans, Pulleys and Belts, 8 Cylinder, 305 Without Air Conditioning	9-9	9-10
Fans, Pulleys and Belts, 8 Cylinder, 305 With Air Conditioning	9-10	9-10
Fans, Pulleys and Belts, 8 Cylinder, 350 Without Air Conditioning	9-1 1	9-12
Fans, Pulleys and Belts, 8 Cylinder, 350 With Air Conditioning	9-12	9-12
Hoses and Fittings Dash Heater, 6 Cylinder Engine	9-13	9-14
Hoses and Fitting Dash Heater, 8 Cylinder Engine	9-14	9-14
Hoses and Fittings, Dash and Floor Heater Combination, 6 Cylinder Engine	9-15	9-16
Hoses and Fittings, Dash and Floor Heater Combination, 8 Cylinder Engine	9-16	9-16
Radiator Coolant Recovery System, With Front Mounted Battery	9-17	9-18
Radiator Coolant Recovery System, With Rear Mounted Battery	9-18	9-19

SECTION 9 - COOLING AND HEATING 9-2

A 11	A 11 E	A 12	A 12 E
---------	--------------	---------	--------------

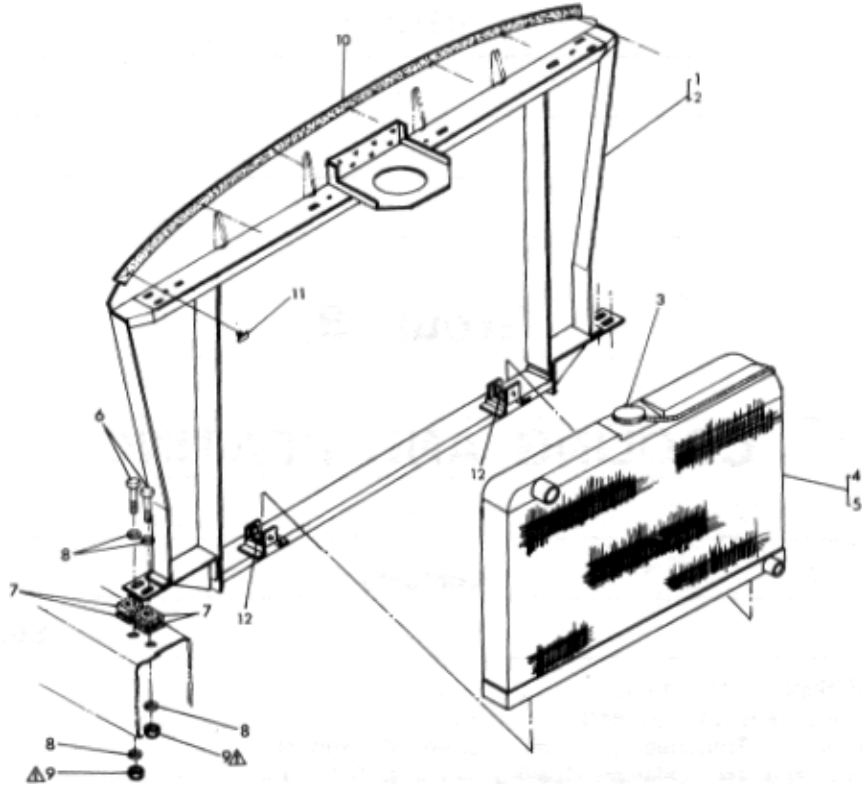


Figure 9-1 Radiator and Support Mounting

A 11	A 12	
---------	---------	--

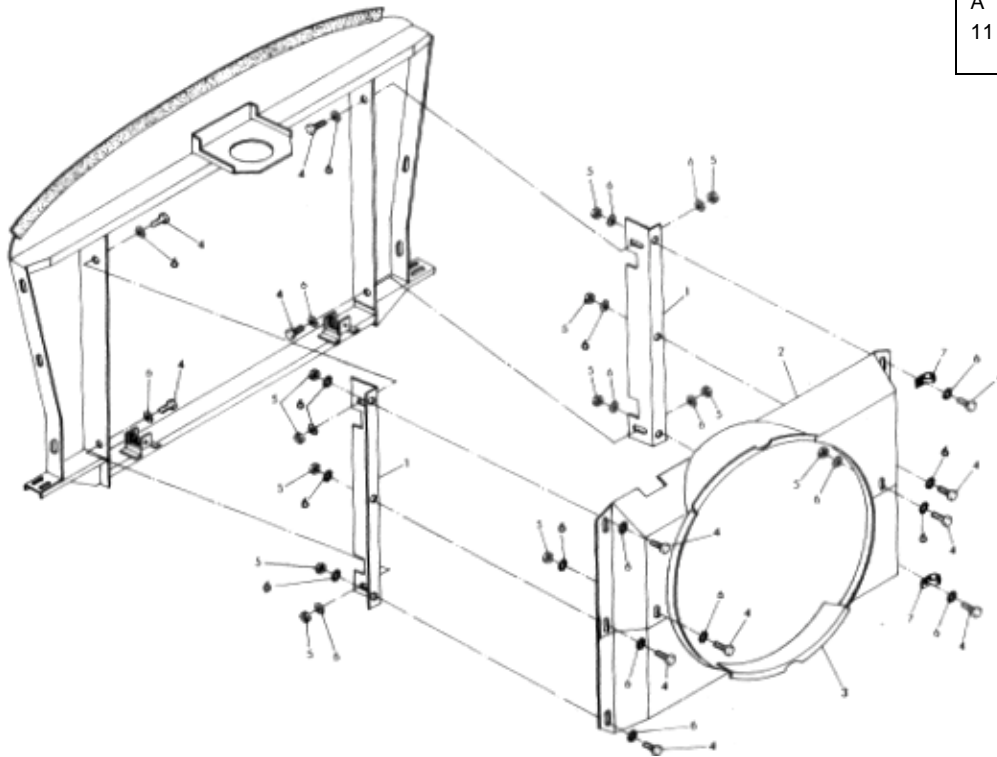


Figure 9-2 Fan Shroud Assembly (6 Cylinder)

SECTION 9 - COOLING AND HEATING 9-3

Item	Part Number	Description	Qty
Figure 9-1 RADIATOR AND SUPPORT MOUNTING			
1	651814	Panel Asm. - Rad. Support - 6 Cyl	1
2	651857	Panel Asm. - Rad. Support - 8 Cyl	1
	651831	Member Asm. - Supt. Upper - Compt	1
	651835	Panel Asm. - Rad. Supt. - Lower	1
3	707018	Cap Asm. - Radiator Press	1
4	701716	Radiator Asm. (1 1/4" Core, 12 Fin)	1
5	701717	Radiator Asm. (2" Core, 15 Fin)	1
	05085	Drain Cock Asm	1
6	180130	Bolt (3/8-16 X 2 Hex)	4
7	640597	Shim - Rad. Support Mt	8
8	706271	Washer (1 OD X .391 ID)	8
9	626779	Nut (3/8-16 Spl. Hex Lock)	4
10	640573	Seal - Rad. Supt. Upper Ext	1
11	626614	Clip - Rad. Seal Retainer	7
12	702088	Pad - Rad. Mounting - Lower	2
Figure 9-2 FAN SHROUD ASSEMBLY (6 Cylinder)			
1	708131	Support - Rad. Fan Shroud	2
2	701598	Shroud Asm.Upper	1
3	701599	Shroud Asm.Lower	1
4	120854	Bolt (1/4-20 X 5/8 Hex)	12
5	120375	Nut (1/4-20 Hex)	12
6	174916	LW (1/4 Int. Ext. Tooth)	24
7	80568	Clip (1/2 ID)	2

SECTION 9 - COOLING AND HEATING 9-4

A		A	
11		12	

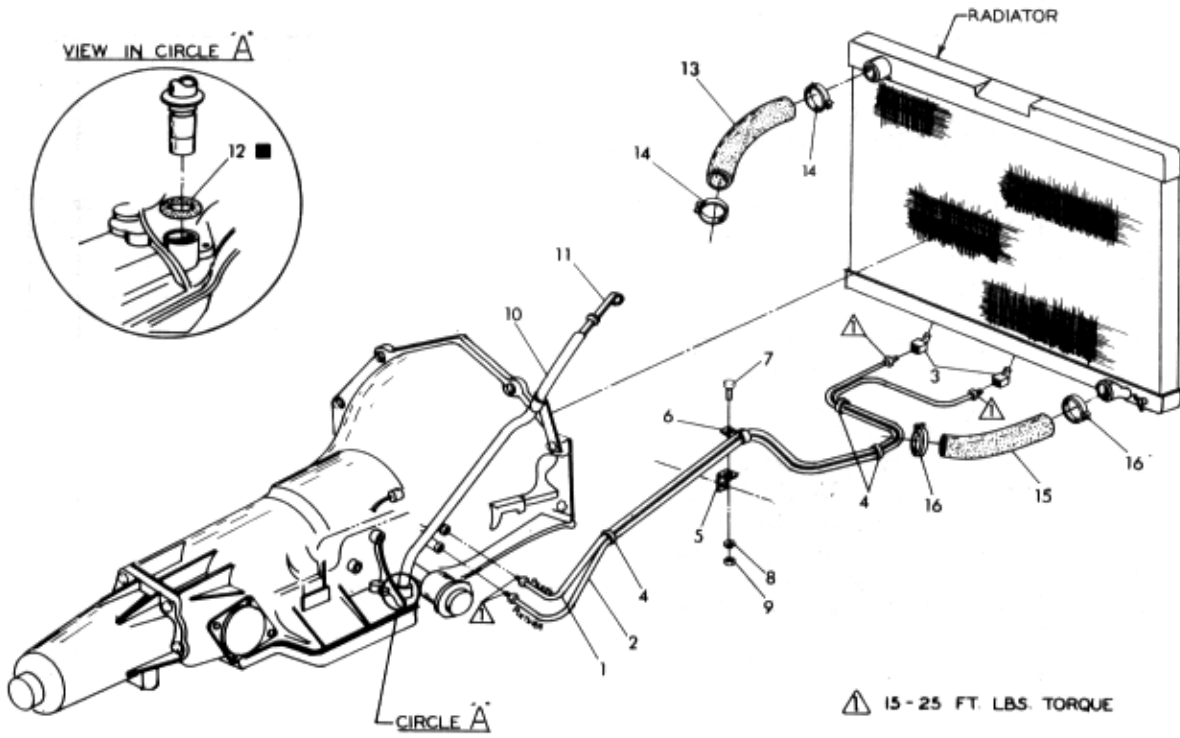
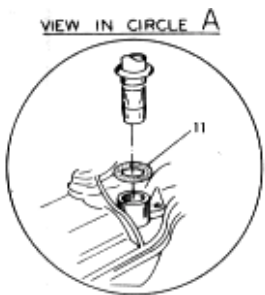


Figure 9-3 Radiator Hoses and Transmission Cooling Lines, 6 Cylinder



A	A	A	A
11	11	12	12
	E		E

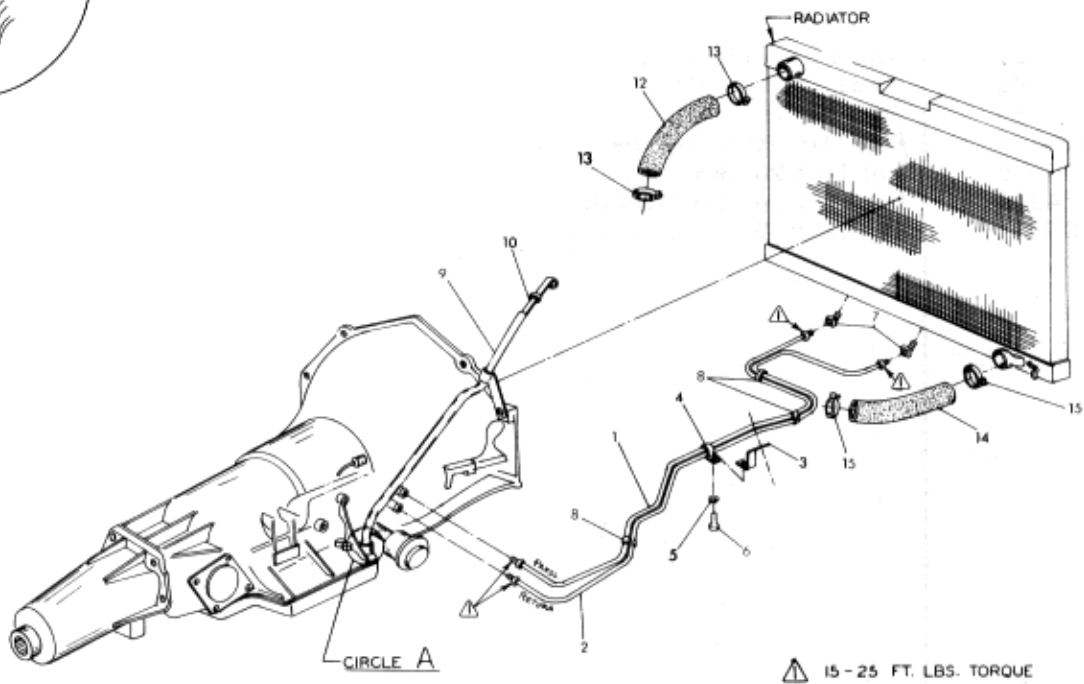


Figure 9-4 Radiator Hoses and Transmission Cooling Lines, 8 Cylinder

SECTION 9 - COOLING AND HEATING 9-5

Item	Part Number	Description	Qty
Figure 9-3 RADIATOR HOSES AND TRANSMISSION COOLING LINES. 6 CYLINDER			
1	705554	Tube Asm. - Trans. to Cooler (Pressure)	1
2	705555	Tube Asm. - Trans. to Cooler (Return)	1
3	116341	Elbow - Inv. Fl. Tube (1/8 MPT)	2
4	708070	Tie - Nylon Cable	3
5	702610	Bracket - Tube Clamp Mt	1
6	702611	Clip (5/16 Dbl. Closed)	1
7	120706	Bolt (1/4-20 1/2 Hex)	1
8	120380	LW (1/4 Med. Spring)	1
9	120375	Nut (1/4-20 Hex)	1
10	705424	Tube Asm. Trans. Oil Filler	1
11	705413	Cap & Gage Asm. - Trans. Oil Filler	1
12	706348	Seal - Trans. Oil Filler Tube	1
13	706578	Hose - Rad. Inlet - Upper	1
14	443634	Clamp (1 7/8 Hose)	2
15	707017	Hose - Rad. Outlet	1
16	454373	Clamp (2 1/8 Hose)	2
Figure 9-4 RADIATOR HOSES AND TRANSMISSION COOLING LINES, 8 CYLINDER			
1	705556	Tube Asm. - Trans. to Cooler (Pressure)	1
2	705557	Tube Asm. - Trans. to Cooler (Return)	1
3	701668	Bracket Asm. - Tube Clamp Mt	1
4	702611	Clip (5/16 Dbl. Closed)	1
5	120380	LW (1/4 Med. Spring)	1
6	120706	Bolt (1/4-20 X 1/2 Hex)	1
7	116341	Elbow - Inv. Fl. Tube (1/8 MPT)	2
8	708070	Tie - Nylon Cable	3
9	705412	Tube Asm. - Trans. Oil Filler	1
10	705413	Cap & Gage Asm. - Trans. Oil Filler	1
11	706348	Seal - Trans. Oil Filler Tube	1
12	706598	Hose - Rad. Inlet	1
13	443634	Clamp (1 7/8 Hose)	2
14	706597	Hose - Rad. Outlet	1
15	454373	Clamp (2 1/8 Hose)	2

SECTION 9 - COOLING AND HEATING 9-6

A		A	
11		12	

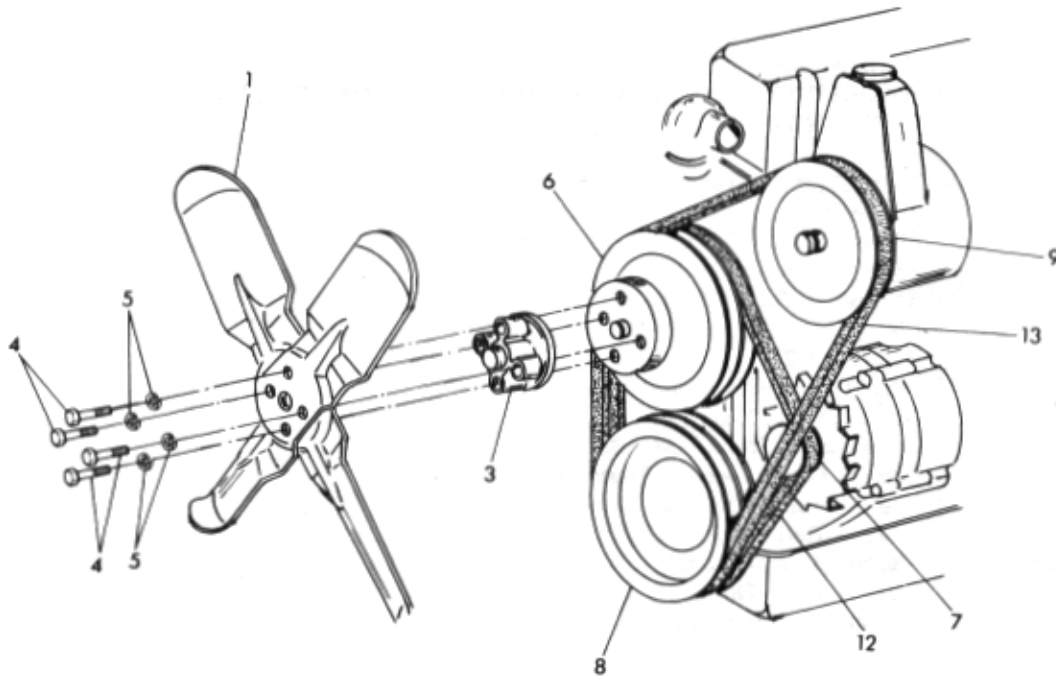


Figure 9-5 Fans, Pulleys and Belts. 6 Cylinder, Non-California

A		A	
11		12	

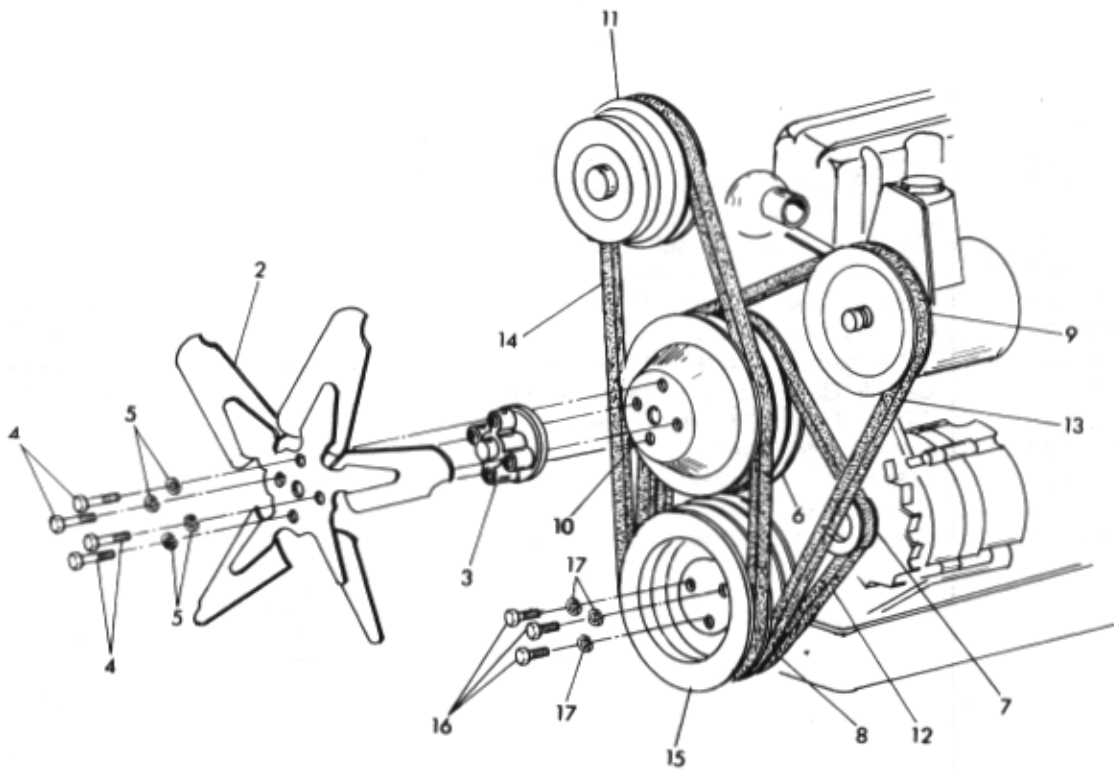


Figure 9-6 Fans, Pulleys and Belts, 6 Cylinder, Non-California With Air Conditioning

SECTION 9 - COOLING AND HEATING 9-7

Item	Part Number	Description	Qty
Figures 9-5 and 9-6 FANS, PULLEYS AND BELTS, 6 CYLINDER, NON-CALIFORNIA			
1	705426	Fan Asm. (4) Blade	1
2	705202	Fan Asm. (5) Blade	1
3	706595	Spacer Fan Blade 6 Cylinder	1
4	9421948	Bolt (5/16-24 X 2 Hex)	4
5	120214	Lockwasher (5/16 Med. Spring)	4
6	705537	Pulley Asm. Water Pump & Fan	1
7	010462	Pulley Furnished On Generator	1
8	09510	Damper. Torsional Furn. On Eng. (Federal Engine)	1
	09552	Damper Torsional Furn. On Eng. (California Engine)	1
9	705766	Pulley Asm. P/S Pump	1
10	706618	Pulley Water Pump & Fan Frt	1
11	08929	Pulley Furnished On Compressor	1
	08913	Nut Shaft Kit A/C Compressor Pulley Mounting	1
12	708119	Belt Generator (36° X 38.00" Hvy. Du.)	1
13	706666	Belt P/S Pump Drive (.380 X 36° X 49.00")	1
14	706670	Belt A/C Compressor Drive (15/32 X 38° X 60.00")	1
15	704849	Pulley Crankshaft Front	1
16	181629	Bolt (3/8-24 X 5/8 Hex)	3
17	120382	Lockwasher (3/8 Med. Spring)	3
18	704152	Pulley A.I.R. Pump	1
19	120706	Bolt (1/4-20 X 1/2 Hex)	3
20	120380	Lockwasher (1/4 Med. Spring)	3
21	705546	Pulley Asm. P/S Pump	1
22	706302	Belt A.I.R. Drive (3/8 X 38° X 30.12)	1

SECTION 9 - COOLING AND HEATING 9-8

A		A	
11		12	

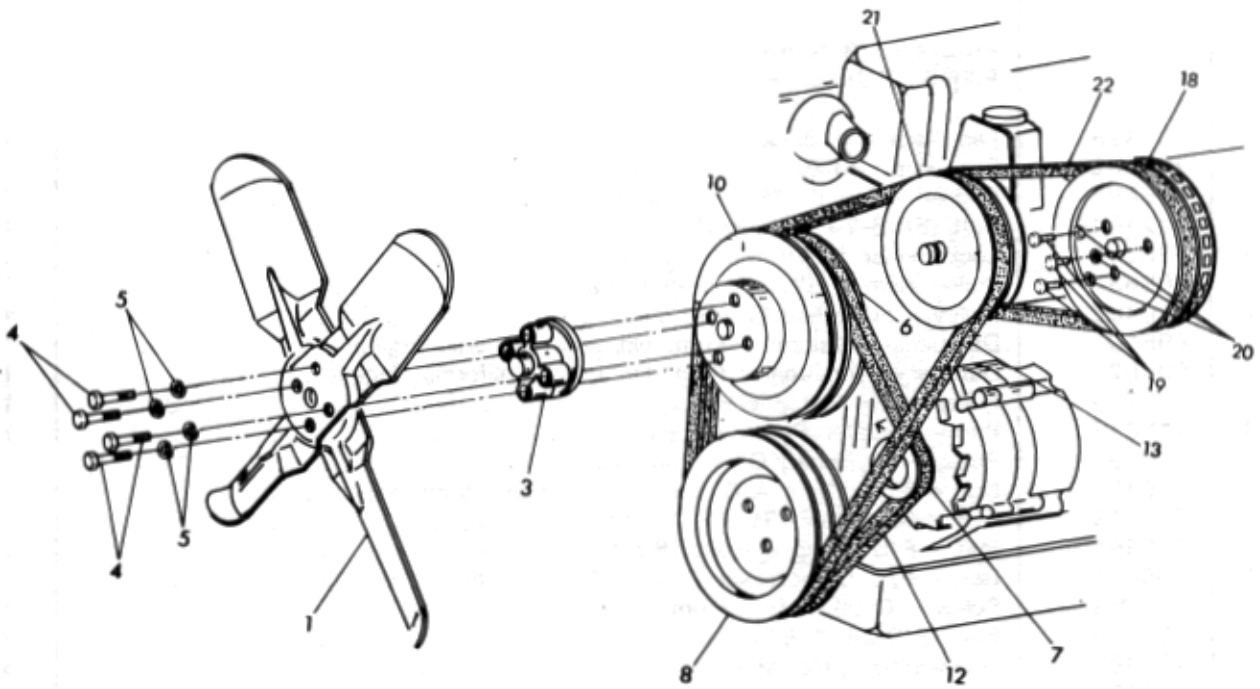


Figure 9-7 Fans, Pulleys and Belts, 6 Cylinder. California

A		A	
11		12	

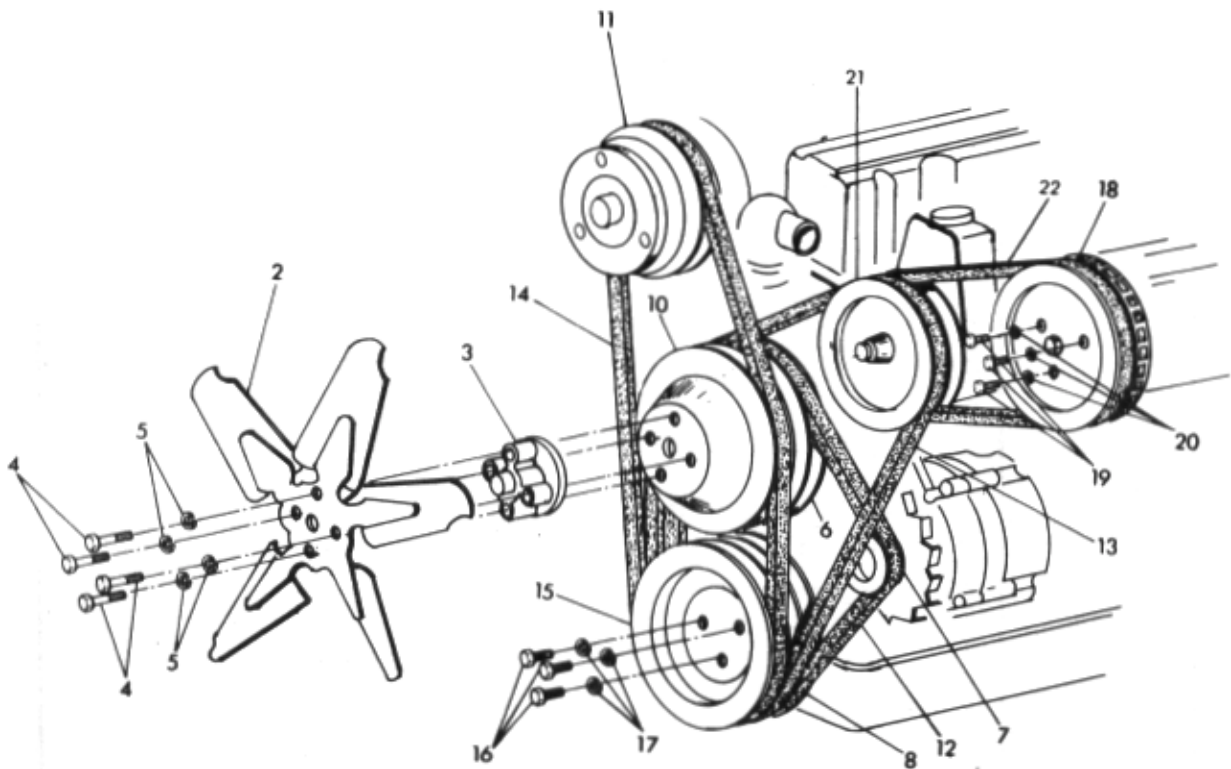


Figure 9-8 Fans, Pulleys and Belts, 6 Cylinder. California With Air Conditioning

SECTION 9 - COOLING AND HEATING 9-9

Item	Part Number	Description	Qty
Figures 9-7 and 9-8 FANS. PULLEYS AND BELTS. 6 CYLINDER, CALIFORNIA			
1	705426	Fan Asm. (4) Blade	1
2	705202	Fan Asm. (5) Blade	1
3	706595	Spacer - Fan Blade - 6 Cylinder	1
4	9421948	Bolt (5/16-24 X 2 Hex)	4
5	120214	Lockwasher (5/16 Med. Spring)	4
6	705537	Pulley Asm. - Water Pump & Fan	1
7	010462	Pulley - Furnished On Generator	1
8	09510	Damper - Torsional - Furn. On Eng. (Federal Engine)	1
	09552	Damper - Torsional - Furn. On Eng. (California Engine)	1
9	705766	Pully Asm. - P/S Pump	1
10	706618	Pulley - Water Pump & Fan - Frt	1
11	08929	Pulley - Furnished On Compressor	1
	08913	Nut - Shaft Kit - A/C Compressor Pulley Mounting	1
12	708119	Belt - Generator (36° X 38.00" Hvy. Du.)	1
13	706666	Belt - P/S Pump Drive (.380 X 36° X 49.00")	1
14	706670	Belt - A/C Compressor Drive (15/32 X 38° X 60.00")	1
15	704849	Pulley - Crankshaft -Front	1
16	181629	Bolt (3/8-24 X 5/8 Hex)	3
17	120382	Lockwasher (3/8 Med. Spring)	3
18	704152	Pulley - A.I.R. Pump	1
19	120706	Bolt (1/4-20 X 1/2 Hex)	3
20	120380	Lockwasher (1/4 Med. Spring)	3
21	705546	Pulley Asm. - P/S Pump	1
22	706302	Belt - A.I.R. Drive (3/8 X 38° X 30.12")	1

SECTION 9 - COOLING AND HEATING 9-10

A	A	A	A
11	11	12	12
	E		E

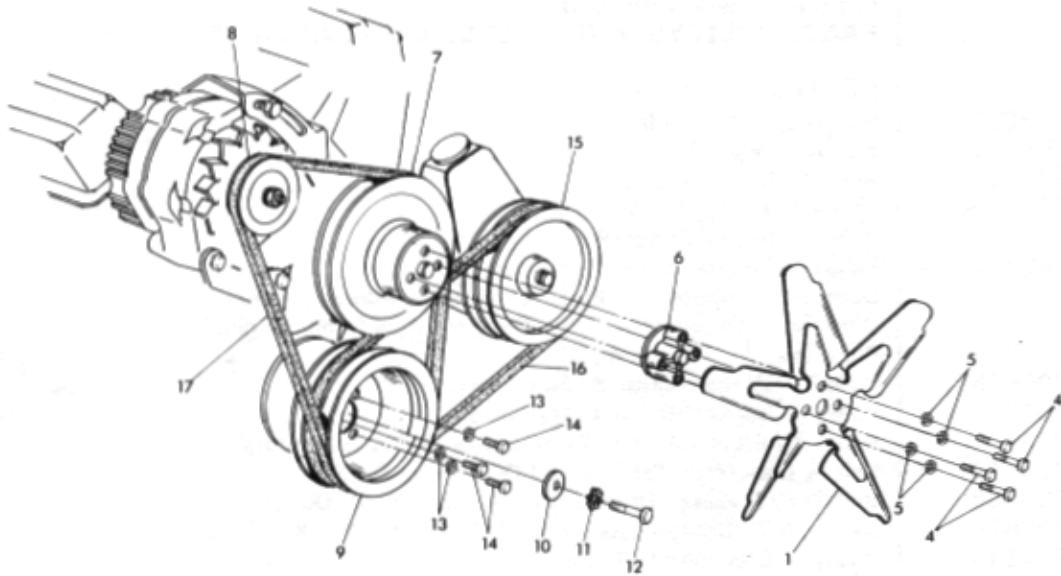


Figure 9-9 Fans, Pulleys and Belts, 8 Cylinder, 305 Without Air Conditioning

A	A	A	A
11	11	12	12
	E		E

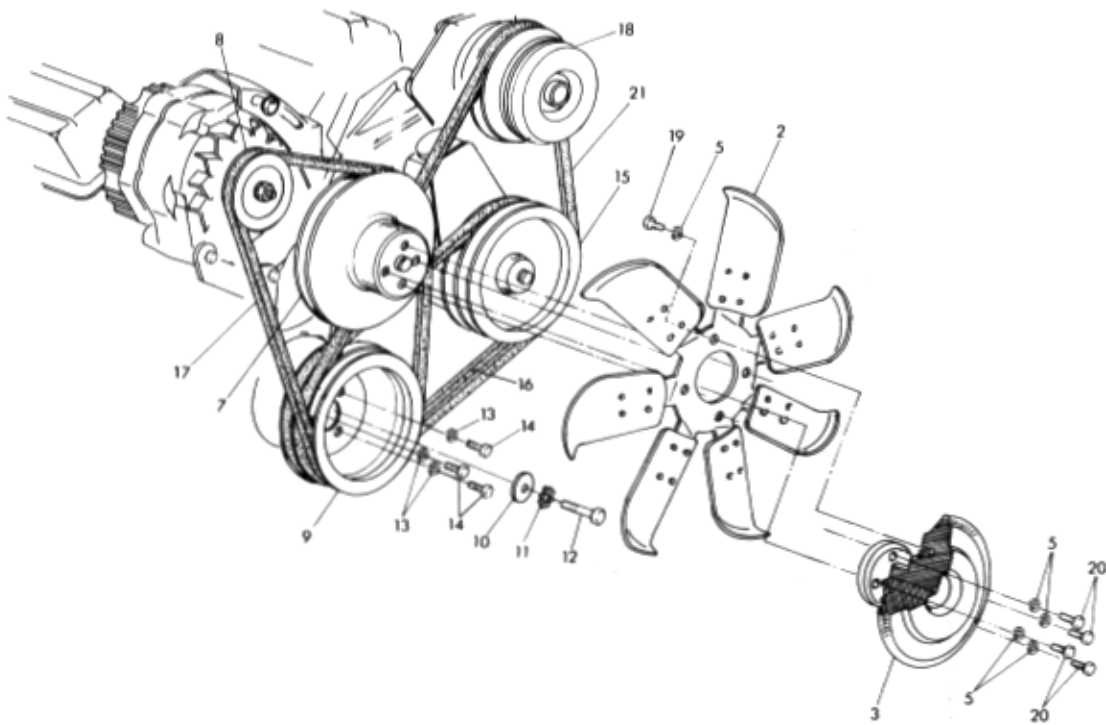


Figure 9-10 Fans, Pulleys and Belts, 8 Cylinder, 305 With Air Conditioning

SECTION 9 - COOLING AND HEATING 9-11

Item	Part Number	Description	Qty
Figures 9-9 and 9-10 FANS, PULLEYS AND BELTS. 8 CYLINDER, 305 WITHOUT AIR CONDITIONING			
1	705202	Fan Asm. (5) Blade	1
2	705526	Fan Asm. Viscous (7) Blade	1
3	705525	Clutch Asm. - Viscous Fan Drive	1
4	9425389	Bolt (5/16-24 X 2 1/4 Hex)	4
5	120214	Lockwasher (5/16 Med. Spring)	8
6	706397	Spacer - Fan	1
7	703392	Pulley - Water Pump & Fan	1
8	010462	Pulley - Furnished On Generator	1
9	703631	Pulley Asm. - Crankshaft	1
10	704669	Washer - Torsional Damper Ret	1
11	136857	Lockwasher (7/16 Ext. Tooth)	1
12	9428643	Bolt (7/16-20 X 2 1/4 Hex)	1
13	120382	Lockwasher (3/8 Med. Spring)	3
14	181635	Bolt (3/8-24 X 3/4 Hex)	3
15	705546	Pulley Asm. - P/S Pump	1
16	704500	Belt - P/S Pump Drive (3/8 X 38° X 36.00")	1
17	706673	Belt - Generator Drive (.38 X 44.50)	1
18	08929	Pulley - Furnished On Compressor	1
	08913	Nut - Shaft Kit - A/C Compressor Pulley Mounting	1
19	180077	Bolt (5/16-18 X 3/4)	4
20	181608	Bolt (5/16-24 X 1 Hex)	4
21	704501	Belt - A/C Compressor Drive (15/32 X 38° X 54.33)	1
22	704152	Pulley - A.I.R. Pump	1
23	120706	Bolt (1/4-20 X 1/2 Hex)	3
24	120380	Lockwasher (1/4 Med. Spring)	3
25	704499	Belt - A.I.R. Drive (3/8 X 38° X 47.50)	1

SECTION 9 - COOLING AND HEATING 9-12

A	A	A	A
11	11	12	12
E	E	E	E

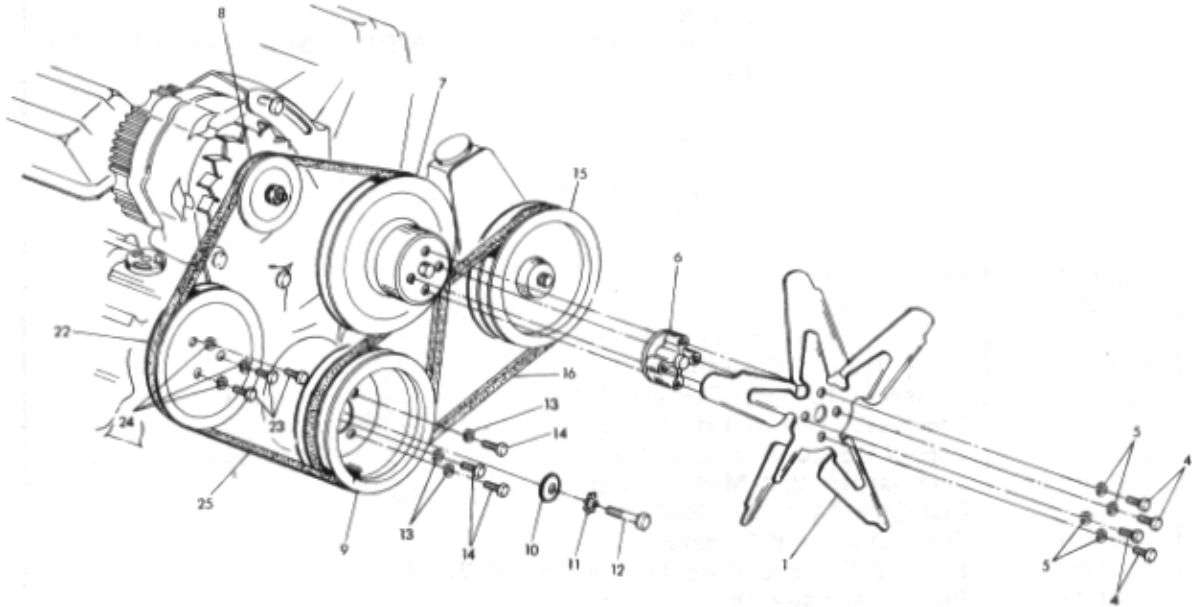


Figure 9-11 Fans, Pulleys and Belts, 8 Cylinder, 350 Without Air Conditioning

A	A	A	A
11	11	12	12
E	E	E	E

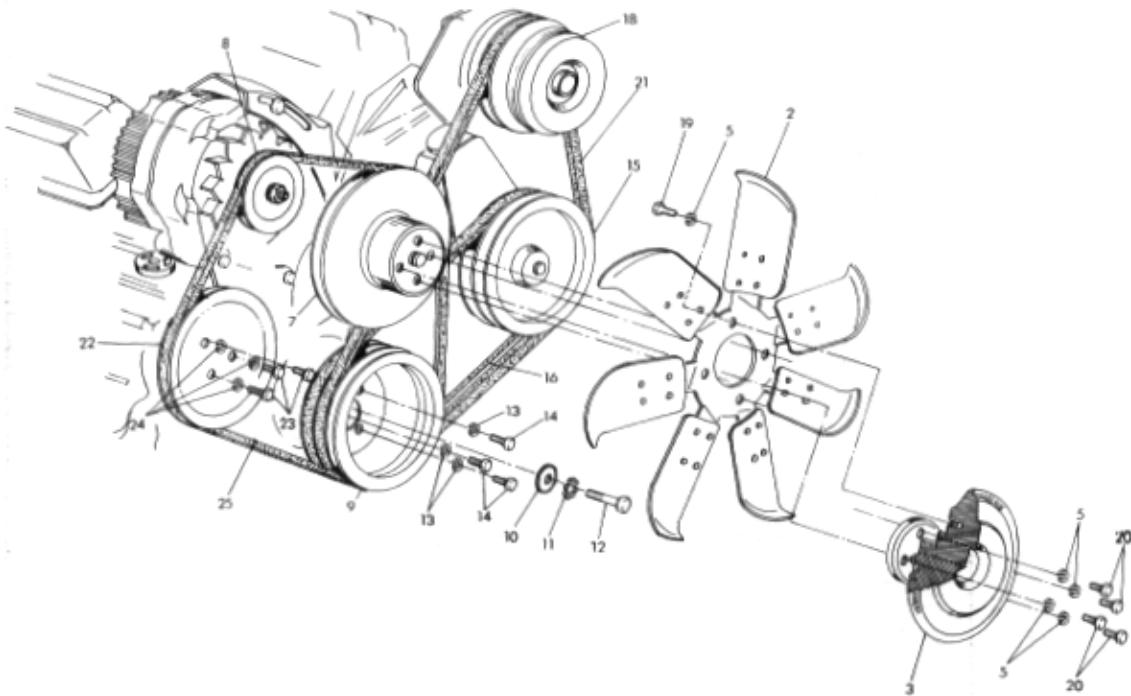


Figure 9-12 Fans, Pulleys and Belts, 8 Cylinder, 350 With Air Conditioning

Checker Motors Corp.

SECTION 9 - COOLING AND HEATING 9-13

Item	Part Number	Description	Qty
Figures 9-11 and 9-12 FANS. PULLEYS AND BELTS 8 CYLINDER. 350 WITHOUT AIR CONDITIONING			
1	705202	Fan Asm. (5) Blade	1
2	705526	Fan Asm. Viscous (7) Blade	1
3	705525	Clutch Asm. - Viscous Fan Drive	1
4	9425389	Bolt (5/16-24 X 2 1/4 Hex)	4
5	120214	Lockwasher (5/16 Med. Spring)	8
6	706397	Spacer - Fan	1
7	703392	Pulley - Water Pump & Fan	1
8	010462	Pulley - Furnished On Generator	1
9	703631	Pulley Asm. - Crankshaft	1
10	704669	Washer - Torsional Damper Ret	1
11	136857	Lockwasher (7/16 Ext. Tooth)	1
12	9428643	Bolt (7/16-20 X 2 1/4 Hex)	1
13	120382	Lockwasher (3/8 Med. Spring)	3
14	181635	Bolt (3/8-24 X 3/4 Hex)	3
15	705546	Pulley Asm. - P/S Pump	1
16	704500	Belt - P/S Pump Drive (3/8 X 38° X 36.00)	1
17	706673	Belt - Generator Drive (.38 X 44.50)	1
18	08929	Pulley (Furnished On Compressor)	1
	08913	Nut - Shaft Kit - A/C Compressor Pulley Mounting	1
19	180077	Bolt (5/16-18 X 3/4)	4
20	181608	Bolt (5/16-24 X 1 Hex)	4
21	704501	Belt - A/C Compressor Drive (15/32 X 38° X 54.33)	1
22	704152	Pulley - A.I.R. Pump	1
23	120706	Bolt (1/4-20 X 1/2 Hex)	3
24	120380	Lockwasher (1/4 Med. Spring)	3
25	704499	Belt - A.I.R. Drive (3/8 X 38° X 47.50)	1

SECTION 9 - COOLING AND HEATING 9-14

A		A	
11		12	

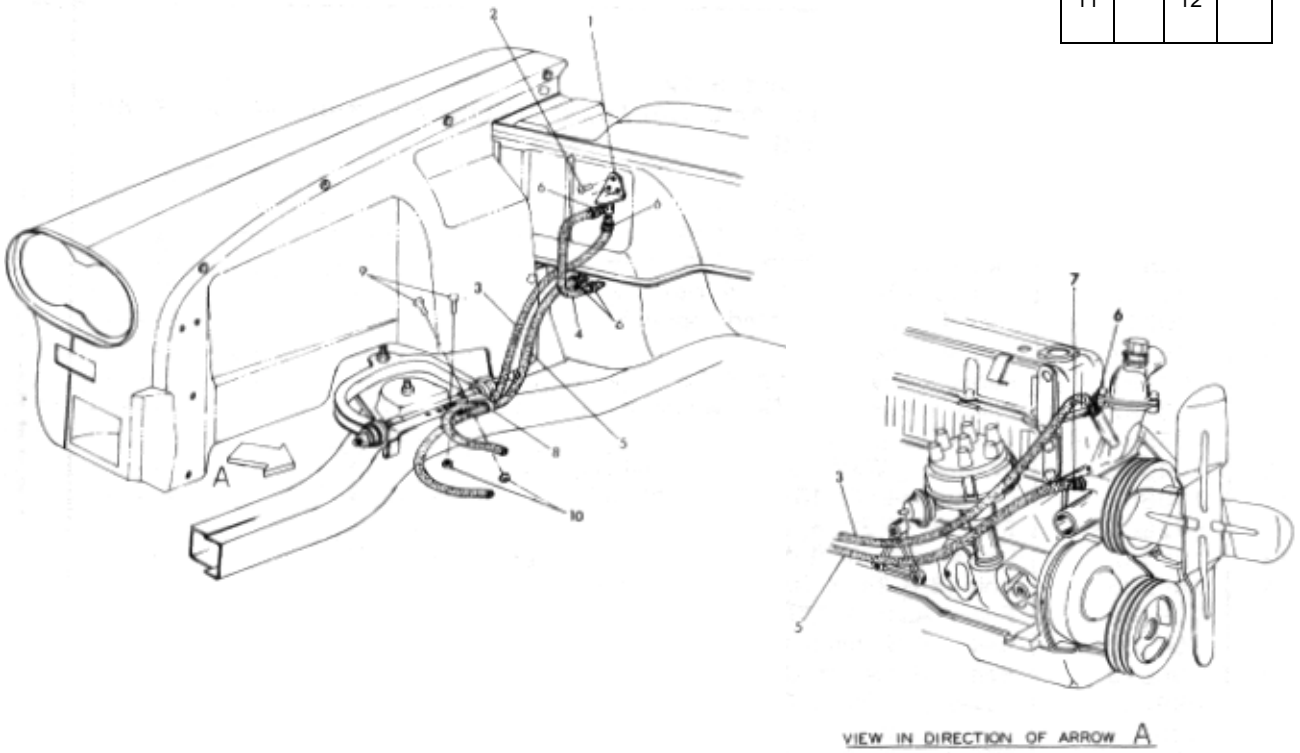


Figure 9-13 Hoses and Fittings .Dash Heater, 6 Cylinder Engine

A	A	A	A
11	11	12	12
	E		E

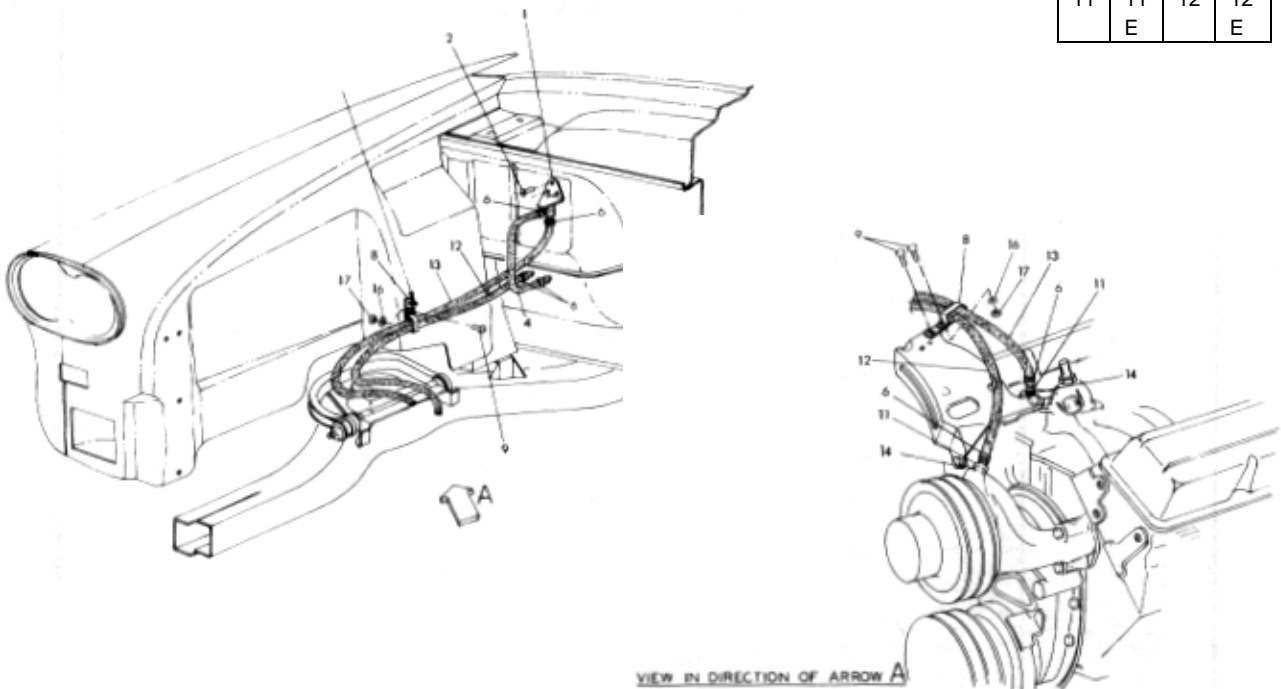


Figure 9-14 Hoses and Fitting .Dash Heater, 8 Cylinder Engine

SECTION 9 - COOLING AND HEATING 9-15

Item	Part Number	Description	Qty
Figures 9-13 and 9-14 HOSES AND FITTINGS - DASH HEATER			
1	701223	Valve Asm. - Temperature Reg	1
2	161895	Screw (#10 X 1/2 PHCR)	3
3	706199	Hose (5/8 X 40" Lg.)	1
4	702289	Hose - Regulator Valve to Core	1
5	702296	Hose - Heater to Engine	1
6	178304	Clamp (15/16 Hose) 6 Cylinder	5
	178304	Clamp (15/16 Hose) 8 Cylinder	6
7	454358	Clamp (1 1/8 Hose)	1
8	646664	Clip	2
9	121887	Bolt (1/4-20 X 3/4 Hex)	3
10	271172	Nut & Ext. Tooth LW Asm. (1/4-20 Hex)	2
11	702800	Nipple - Heater Hose to Water Pump	2
12	93290	Hose - Heater to Eng. (37" Lg.)	1
13	704822	Hose - Heater Valve to Engine	1
14	120322	Bushing - Auto. Pipe Reducing (1/2 to 3/8)	2
15	626532	Clip (15/16 Double Closed)	1
16	174916	LW (1/4 Int. Ext. Tooth)	3
17	120375	Nut (1/4-20 Hex)	3
18	637188	Heater Asm. - Floor Mounted	1
19	636797	Deflector - Floor Mounted Heater	4
20	640034	Retainer - Floor Mounted Heater Deflector	4
21	636794	Gasket - Floor Mounted Heater	1
22	121743	Nut (#12-24 Hex)	2
23	125751	Lockwasher (#12 Ext. Tooth)	2
24	642530	Hose - Floor Mounted Heater (66" Lg.)	2
25	9425830	Screw (1/4-14 X 5/8 THCR)	2
26	646772	Hose - Floor Mounted Heater to Regulator Valve	1
27	646771	Connector - Underseat Heater Hose	1

SECTION 9 - COOLING AND HEATING 9-16

A		A	
11		12	

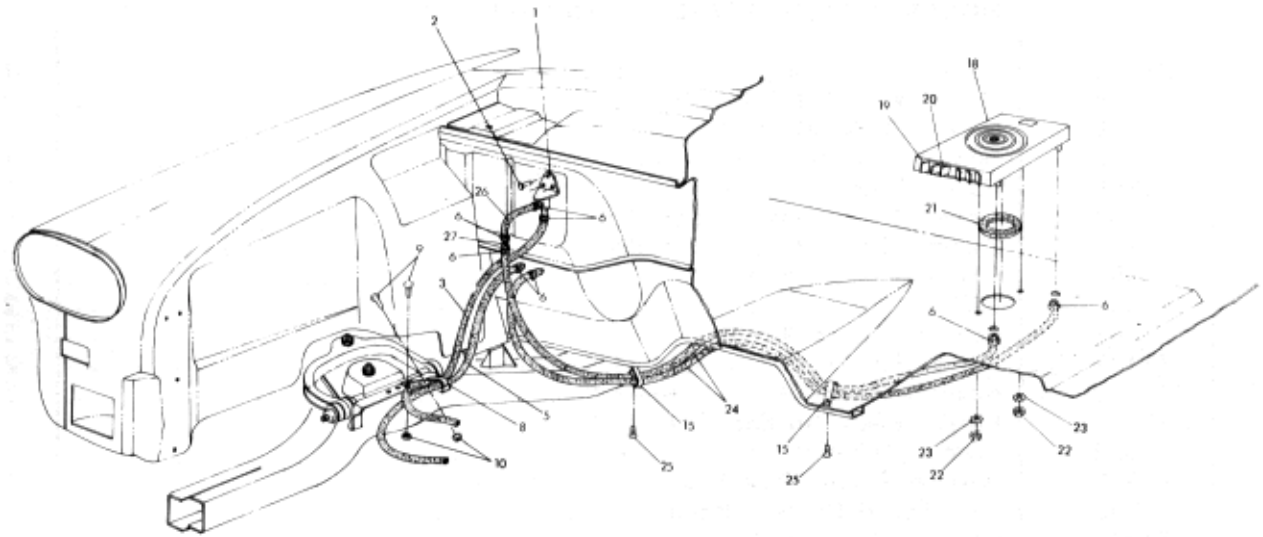


Figure 9-15 Hoses and Fittings, Dash and Floor Heater Combination, 6 Cylinder Engine

A	A	A	A
11	11	12	12
E	E	E	E

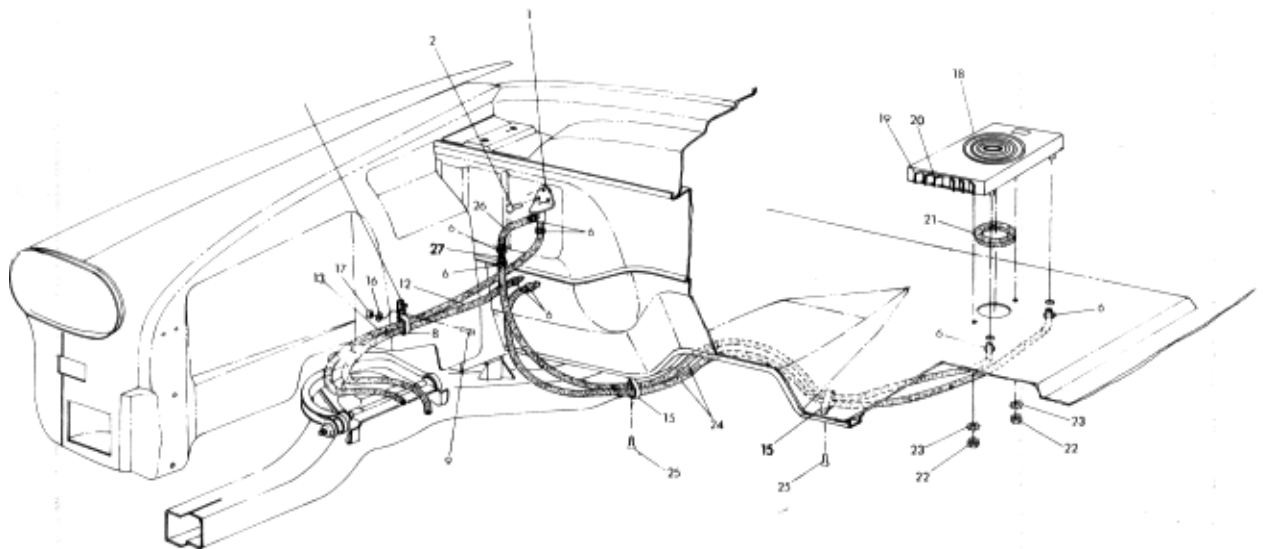


Figure 9-16 Hoses and Fittings, Dash and Floor Heater Combination, 8 Cylinder Engine

SECTION 9 - COOLING AND HEATING 9-17

Item	Part Number	Description	Qty
Figures 9-15 and 9-16 HOSES AND FITTINGS. DASH AND FLOOR HEATER COMBINATION			
1	701223	Valve Asm. - Temperature Reg	1
2	161895	Screw (#10 X 1/2 PHCR)	3
3	706199	Hose (5/8 X 40" Lg.)	1
4	702289	Hose - Regulator Valve to Core	1
5	702296	Hose - Heater to Engine	1
6	178304	Clamp (15/16 Hose) 6 Cylinder	5
	178304	Clamp (15/16 Hose) 8 Cylinder	6
7	454358	Clamp (1 1/8 Hose)	1
8	646664	Clip	2
9	121887	Bolt (1/4-20 X 3/4 Hex)	3
10	271172	Nut & Ext. Tooth LW Asm. (1/4-20 Hex)	2
11	702800	Nipple - Heater Hose to Water Pump	2
12	93290	Hose - Heater to Eng. (37" Lg.)	1
13	704822	Hose - Heater Valve to Engine	1
14	120322	Bushing - Auto. Pipe Reducing (1/2 to 3/8)	2
15	626532	Clip (15/16 Double Closed)	1
16	174916	LW (1/4 Int. Ext. Tooth)	3
17	120375	Nut (1/4-20 Hex)	3
18	637188	Heater Asm. - Floor Mounted	1
19	636797	Deflector - Floor Mounted Heater	4
20	640034	Retainer - Floor Mounted Heater Deflector	4
21	636794	Gasket - Floor Mounted Heater	1
22	121743	Nut (#12-24 Hex)	2
23	125751	Lockwasher (#12 Ext. Tooth)	2
24	642530	Hose - Floor Mounted Heater (66" Lg.)	2
25	9425830	Screw (1/4-14 X 5/8 THCR)	2
26	646772	Hose - Floor Mounted Heater to Regulator Valve	1
27	646771	Connector - Underseat Heater Hose	1

SECTION 9 - COOLING AND HEATING 9-18

A	A	A	A
11	11	12	12
E	E	E	E

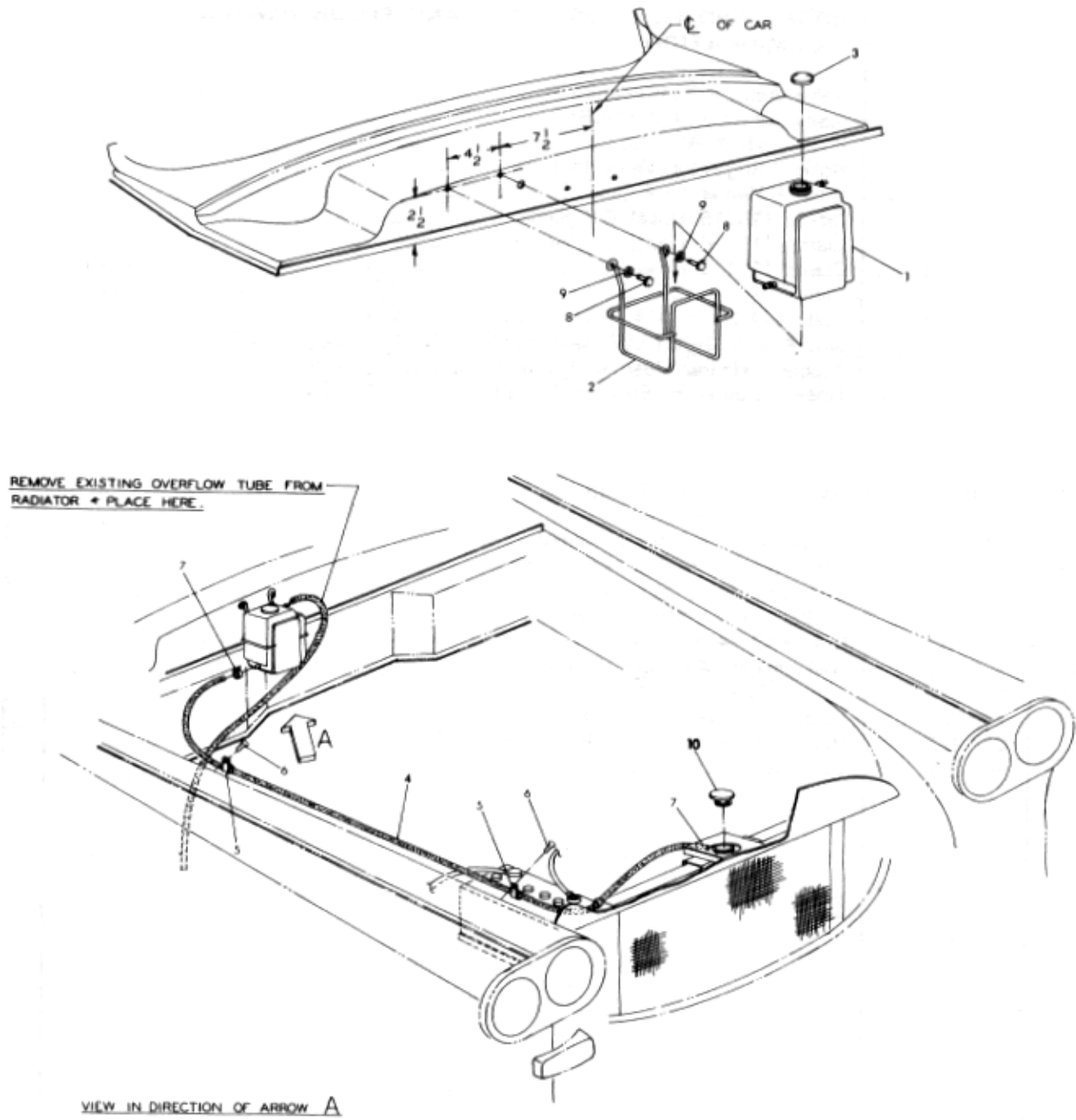


Figure 9-17 Radiator Coolant Recovery System, With Front Mounted Battery

SECTION 9 - COOLING AND HEATING 9-19

A	A	A	A
11	11	12	12
	E		E

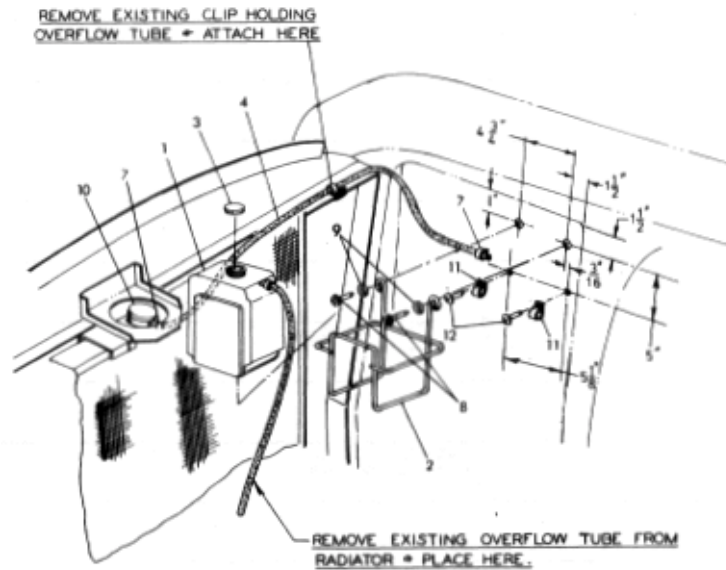


Figure 9-18 Radiator Coolant Recovery System. With Rear Mounted Battery

Item	Part Number	Description	Qty
Figure 9-1 7 RADIATOR COOLANT RECOVERY SYSTEM. WITH FRONT MOUNTED BATTERY			
	705183	Kit - Coolant Recovery	1
1	05400	Coolant Container	1
2	05402	Hanger - Container	1
3	05401	Cap - Container	1
4	05405	Tube - Overflow	1
	05404	Hardware Pkg. - Kit Mt	1
5	NSS	Clip - Overflow Tube	2
6	NSS	Screw - Clip Mt	2
7	NSS	Clamp - Overflow Tube	2
8	NSS	Screw - Hanger Mt	2
9	NSS	Washer - Hanger Mt	2
10	707018	Cap - Radiator	1
11	80361	Clip (1/4 Bolt)	1
12	9425830	Screw (1/4-14 X 5/8 THCR)	1