

GROUP 7 - STEERING 7-1

Group 7

STEERING

Contents

Title	Section Page	
Steering Linkage .Forward Steering	7-1	7-2
Steering Linkage .Rearward Steering	7-2	7-4
Steering Gear Assembly	7-3	7-6
Pump Assembly .Power Steering	7-4	7-10
Hoses .Power Steering, 6 Cylinder, Forward	7-5	7-12
Hoses .Power Steering, 6 Cylinder, Rearward	7-6	7-12
Hoses .Power Steering, 8 Cylinder	7-7	7-14
Pump Mounting .Power Steering (6 Cylinder)	7-8	7-14
Pump Mounting .Power Steering (8 Cylinder) Without Air Conditioning	7-9	7-16
Pump Mounting .Power Steering (8 Cylinder) With Air Conditioning	7-10	7-16

GROUP 7 - STEERING 7-2

A		A	
11		12	

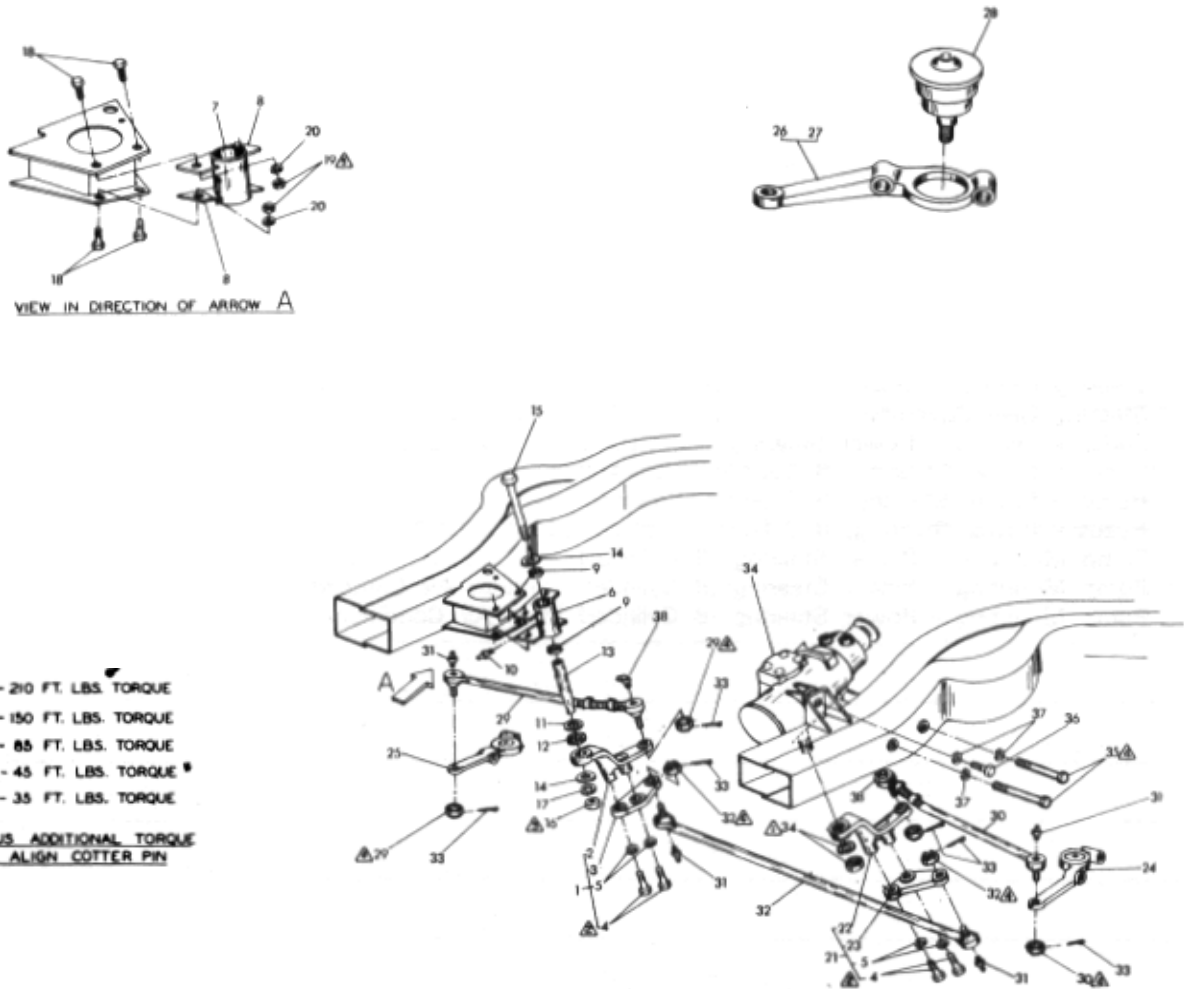


Figure 7-1 Steering Linkage - Forward Steering

GROUP 7 - STEERING 7-3

Item	Part Number	Description	Qty
Figure 7-1			
STEERING LINKAGE - FORWARD STEERING			
	705989	Idler & Supt. Asm. - Steering	1
1	705950	Arm Asm. - Steering Idler	1
2	708085	Arm - Steering Idler	1
3	708082	Lever - Steering Link - RH	1
4	9424025	Bolt (5/8-18 X 1 3/4 Hex)	2
5	9429691	Lockwasher (5/8 Reg. Spr.)	2
6	707068	Tube Asm. - Steering Linkage Bearing	1
7	708101	Tube - Steering Linkage Bearing	1
8	708102	Tab - Steering Linkage Bearing	2
9	705949	Bearing Asm. - Strg. Idler	2
10	191758	Lube Fitting (1/8" Pipe Straight Type CC)	1
11	708099	Washer - Steering Linkage Bearing Thrust	1
12	708100	Washer - Steering Linkage Bearing Spring	1
13	708125	Shaft - Steering Idler	1
14	708126	Washer - Shaft Retainer	2
15	191782	Bolt (1/2-20 X 6 Hex Hd.)	1
16	120371	Nut (1/2-20 Hex)	1
17	120384	Lockwasher (1/2 Med. Spring)	1
18	181635	Bolt (3/8-24 X 3/4 Hex Hd.)	4
19	120369	Nut (3/8-24 Hex)	4
20	120382	Lockwasher (3/8 Med. Spring)	4
21	705988	Arm Asm. - Steering Gear	1
22	708086	Arm - Steering Gear	1
23	708081	Lever - Steering Linkage - LH	1
	9424025	Bolt (5/8-18 X 1 3/4 Hex)	2
	9429691	Lockwasher (5/8 Reg. Spring)	2
24	707053	Arm & Joint Asm. - Steering - LH	1
25	707054	Arm & Joint Asm. - Steering - RH	1
26	708089	Arm - Steering - LH	1
27	708090	Arm - Steering - RH	1
28	703735	Joint Asm. - Ball Lower	2
29	705946	Tie Rod Asm. - RH	1
30	705947	Tie Rod Asm. - LH	1
	05424	Tie Rod End - Inner - RH	1
	05421	Tie Rod End - Inner - LH	1
	05422	Tie Rod End - Outer	2
	05423	Sleeve Asm. - Tie Rod	2
	05425	Clamp Asm. - Tie Rod Sleeve	2
31	9417901	Lube Ftg. (1/4-28 X 1/2)	4
32	705945	Link Asm. - Steering	1
33	137185	Cotter Pin (1/8 X 1)	6
34	707014	Gear Asm. - Power Steering	1
35	9415294	Bolt (7/16-14 X 6 1/2 Hex Hd. Ptd)	2
36	180153	Bolt (7/16-14 X 2 Hex Hd.)	1
37	120383	Lockwasher (7/16 Med. Spring)	3
38	9417903	Lube Fitting (1/4-28 X 90°)	2

GROUP 7 - STEERING 7-4

A	A	A	A
11	11	12	12
E	E	E	E

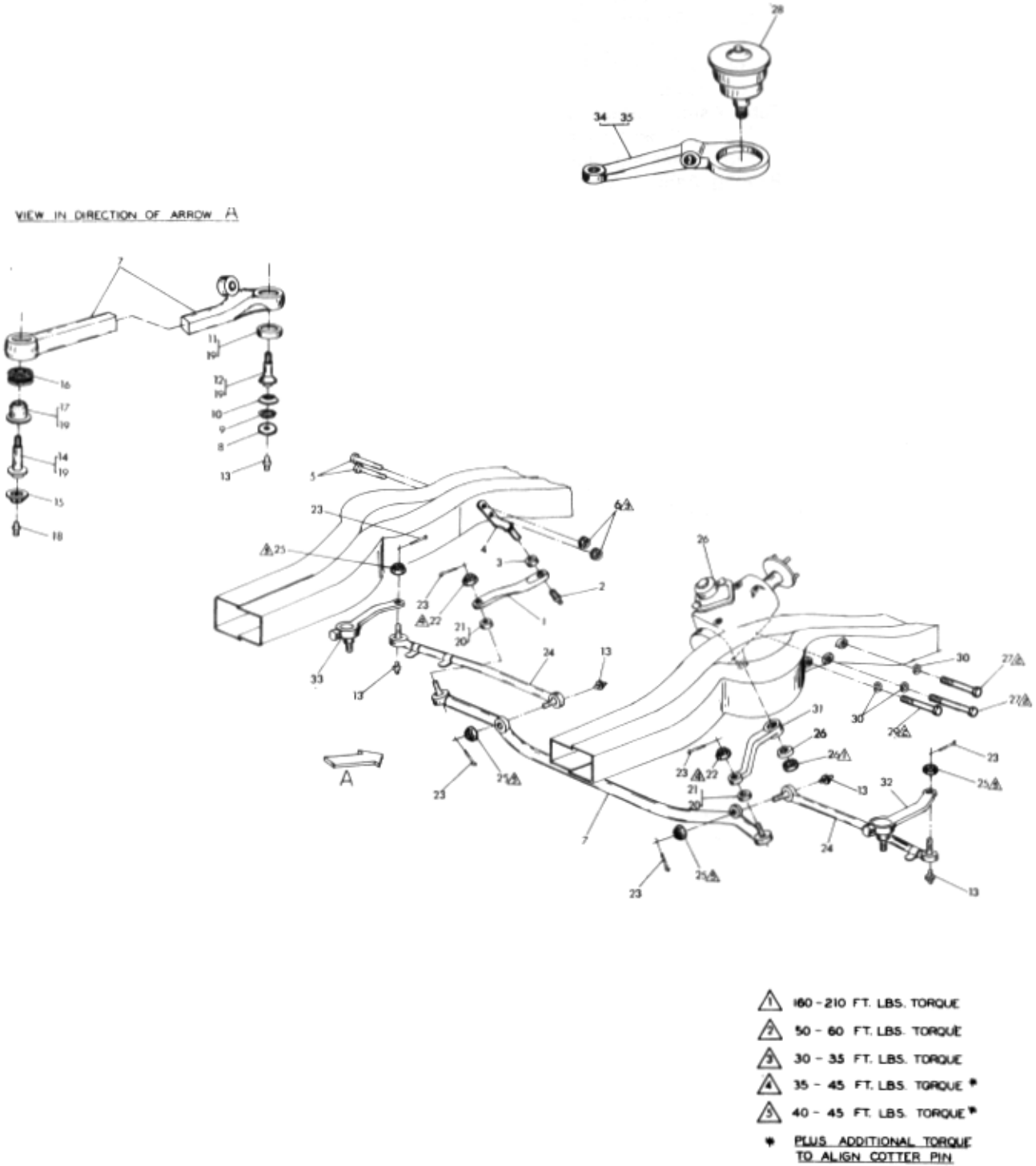


Figure 7-2 Steering Linkage -Rearward Steering

Checker Motors Corp.

GROUP 7 - STEERING 7-5

Item	Part Number	Description	Qty
Figure 7-2			
STEERING LINKAGE - REARWARD STEERING			
	701093	Idler Arm & Supt. Asm. (Complete)	1
1	702034	Arm - Steering Idler	1
2	701030	Bushing (W/Lube Fitting)	1
3	702051	Seal - Bushing	1
4	702841	Support	1
5	189334	Bolt (3/8-24 X 4 1/2 Hex)	2
6	274643	Nut (3/8-24 Hex)	2
7	705492	Link Asm. - Center (Complete)	1
	NSS	Link - Center (Machined)	1
8	NSS	Plug - Stud End LH	1
9	NSS	Spring - Stud LH	1
10	NSS	Seat - Stud Spring LH	1
11	NSS	Seat - Stud Ball LH	1
12	NSS	Ball Stud - LH	1
13	9417901	Fitting - Lube (1/4-28 X 1/2 Taper)	6
14	NSS	Ball Stud - RH	1
15	NSS	Plug - Stud End RH	1
16	NSS	Restrictor (Rubber) RH	1
17	NSS	Bushing - RH	1
18	271413	Fitting - Lub (1/4-28 X 1/2 Straight Type "D")	1
19	MI-121	Grease - Metal Lube	1
20	MI-125	Lube - #5 Cup Grease	1
21	701569	Seal Asm. - Center Link	2
22	125250	Nut (1/2-20 Hex Slotted)	2
23	137185	Cottor Pin (1/8 X 1)	6
24	701010	Tie Rod Asm. - LH & RH	2
	05010	Tie Rod End - Outer	2
	05012	Tie Rod End - Inner	2
	NSS	Seal - Socket Dust	4
25	30944	Nut (9/16-18 Hex Slot)	4
	05011	Sleeve Asm. - LH & RH	2
26	705810	Gear Asm. - P/S Complete	1
	07486	LW - Pitman Shaft	1
	04648	Nut - Pitman Shaft	1
27	187137	Bolt (7/16-14 X 6 Hex)	2
28	703735	Joint Asm. - Ball Lower	2
29	272414	Bolt (7/16-14 X 7 Hex)	1
30	120383	LW (7/16 Med. Spring)	3
31	706544	Pitman Arm (Machined)	1
32	703757	Arm & Joint Asm. - LH	1
33	703758	Arm & Joint Asm. - RH	1
34	704423	Arm - Steering (Machined) LH	1
35	704424	Arm - Steering (Machined) RH	1
	703735	Joint Asm. - Ball Lower	2

GROUP 7 - STEERING 7-6

A	A	A	A
11	11	12	12
E	E		E

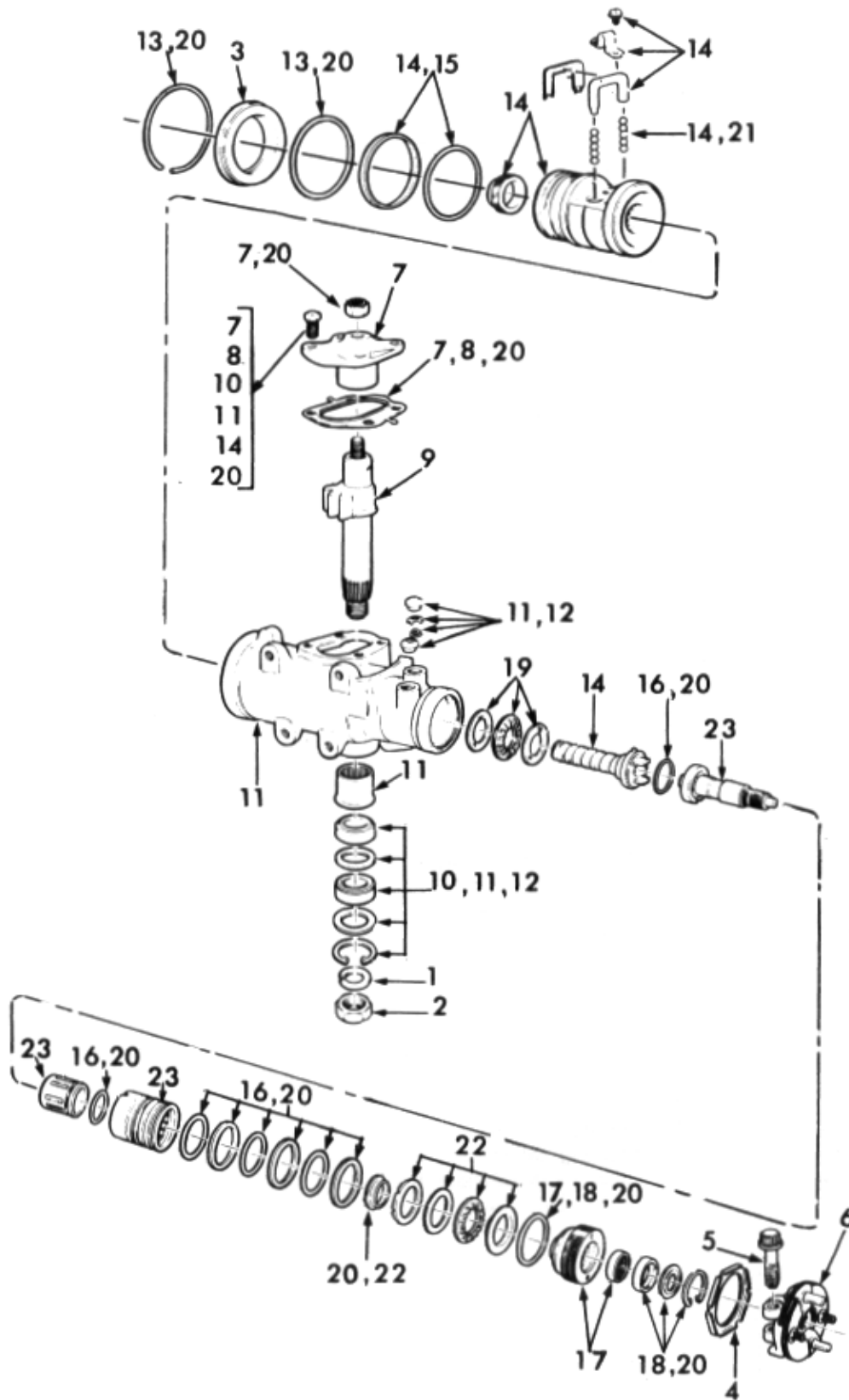


Figure 7-3 Steering Gear Assembly

Checker Motors Corp.

GROUP 7 - STEERING 7-7

Item	Part Number	Description	Qty
Figure 7-3 STEERING GEAR ASSEMBLY			
	707014	Gear Asm. - P/S Complete Forward Steering	1
	705810	Gear Asm. - P/S Complete Rearward Steering	1
1	07486	Washer (7/8" Lock)	1
2	04648	Nut - Pitman Shaft	1
3	04690	Plug - Housing End	1
4	04684	Nut - Adjuster Plug Lock	1
5	04689	Bolt - Steering Coupling	1
	09925	Nut - Steering Coupling	1
6	09926	Flange & Coupling (W/Rearward Steering Only)	1
	9420004	Nut (5/16-24 Hex)	1
	120214	Lockwasher (5/16 Med. Spr.)*	1
	225854	Nut (3/8-24 Hex)*	1
	120382	Lockwasher (3/8 Med. Spr.)*	1
		(Parts Marked (*)Steering Gear to Column - Rearward SteeringOnly)	1
7	09891	Kit - Cover	
	NSS	Cover Asm. - Housing Side	1
	09889	Bolt (Hex Hd.)	4
	NSS	Seal Asm. - Gasket	1
	04632	Nut - Lash Adjuster	1
8	09892	Kit - Housing Cover Seal	1
	09889	Bolt (Hex Hd.)	4
	NSS	Seal Asm. - Gasket	1
9	09893	Kit - Pitman Shaft	1
	NSS	Adjuster - Lash	1
	NSS	Gear - Pitman Shaft	1
	NSS	Retainer - Lash Adjuster	1
10	04698	Kit - Pitman Shaft Seal	1
	09889	Bolt (Hex Hd.)	4
	NSS	Ring - Retaining	1
	NSS	Seal - Pitman Shaft (Double Lip)	1
	NSS	Seal - Pitman Shaft (Single Lip)	1
	NSS	Washer - Seal Back Up	2
11	09923	Kit - Housing	1
	NSS	Ball - Carbon Steel (5/16)	1
	09864	Bearing Asm. - Needle	1
	NSS	Connector - Inverted Flare (.010 OS)	1
	NSS	Connector - Inverted Flare (.010 OS)	1
	NSS	Poppet - Spring Valve	1
	NSS	Spring - Check Valve	1
	NSS	Seal - Pitman Arm (Double Lip)	1
	NSS	Seal - Pitman Arm (Single Lip)	1
	NSS	Ring - Retaining	1
	NSS	Washer - Seal Back Up	2
	09889	Bolt (Hex Hd.)	4
	NSS	Housing - Steering Gear	1

GROUP 7 - STEERING 7-8

Item	Part Number	Description	Qty
Figure 7-3			
STEERING GEAR ASSEMBLY (Cont'd)			
12	04694	Kit - Check Valve Service	1
	NSS	Poppet - Check Valve	1
	NSS	Spring - Check Valve	1
	NSS	Connector - Inverted Flare (.010 OS)	1
	NSS	Connector - Inverted Flare (.0 10 OS)	1
13	09896	Kit - End Plug Seal & Ring	1
	NSS	Seal - Housing End Plug	1
	NSS	Ring - End Plug Retainer	1
14	09897	Kit - Rack Assembly	1
	NSS	Rack - Piston Nut Asm	1
	04594	Screw Asm. - Lockwasher	2
	NSS	Worm Asm	1
	NSS	Ball (.28 12 Dia. Chrome)	12
	NSS	Ball (.2806 Dia. Black)	12
	04660	Clamp - Ball Return Guide	2
	09878	Guide - Ball Return	2
	NSS	Ring - Rack Piston	1
	NSS	Seal - O-Ring	1
	09889	Bolt (Hex Hed.)	4
	04668	Plug - Rack Piston End	1
15	09899	Kit - Rack Piston Seal	1
	NSS	Ring - Rack Piston	1
	NSS	Seal - O-Ring	1
16	04599	Kit - Valve Ring & Seal	1
	NSS	Ring - Valve Body	3
	NSS	Seal - O-Ring	3
	NSS	Seal - O-Ring (Spool)	1
	NSS	Seal - O-Ring (Stub Shaft)	1
17	09900	Kit - Adjuster Plug	1
	NSS	Plug Asm. - Adjuster	1
	04683	Bearing Asm. - Needle	1
	09912	Seal - O-Ring	1
18	04693	Kit - Adjuster Plug Seal	1
	NSS	Ring - Retaining	1
	NSS	Seal - Stub Shaft	1
	09912	Seal - O-Ring	1
	NSS	Seal - Stub Shaft Dust	1

GROUP 7 - STEERING 7-9

Item	Part Number	Description	Qty
Figure 7-3			
STEERING GEAR ASSEMBLY (Cont'd)			
19	09890	Kit . Lower Thrust Bearing	1
	NSS	Bearing Asm. . Roller Thrust	1
	NSS	Race . Thrust Bearing	2
20	07400	Kit . Master Seal Service	1
	09889	Bolt (Hex Hd.)	4
	04632	Nut . Lash Adjuster	1
	NSS	Ring . End Plug Retainer	1
	NSS	Ring . Retaining (Stub Shaft Seal)	1
	NSS	Ring . Retaining (Pitman Shaft Seal)	1
	NSS	Ring . Valve Body	3
	NSS	Seal . O-Ring (Adjuster Plug)	1
	NSS	Seal . O-Ring (Spool Valve)	1
	NSS	Seal . O-Ring (Valve Body)	3
	NSS	Seal Asm. . Gasket	1
	NSS	Seal . Housing End Plug	1
	NSS	Seal . O-Ring (Rack Piston)	1
	NSS	Seal . O-Ring (Stub Shaft)	1
	NSS	Seal . Pitman Shaft (Double Lip)	1
	NSS	Seal . Pitman Shaft (Single Lip)	1
	NSS	Seal . Stub Shaft	1
	NSS	Seal . Stub Shaft Dust	1
	NSS	Washer . Seal Back Up (Pitman Shaft)	2
21	04585	Kit . Recirculating Ball	1
	NSS	Ball (.2806 Dia. . Black)	12
	NSS	Ball (.28 12 Dia. . Chrome)	12
22	09914	Kit . Upper Thrust Bearing	1
	NSS	Bearing Asm. . Roller Thrust	1
	NSS	Race . Thrust Bearing	1
	NSS	Race . Upper Thrust Bearing	1
	NSS	Retainer . Bearing	1
	NSS	Spacer . Thrust Bearing	1
23	09924	Valve Asm. . Steering Gear (Spool)	1

GROUP 7 - STEERING 7-10

A	A	A	A
11	11	12	12
	E		E

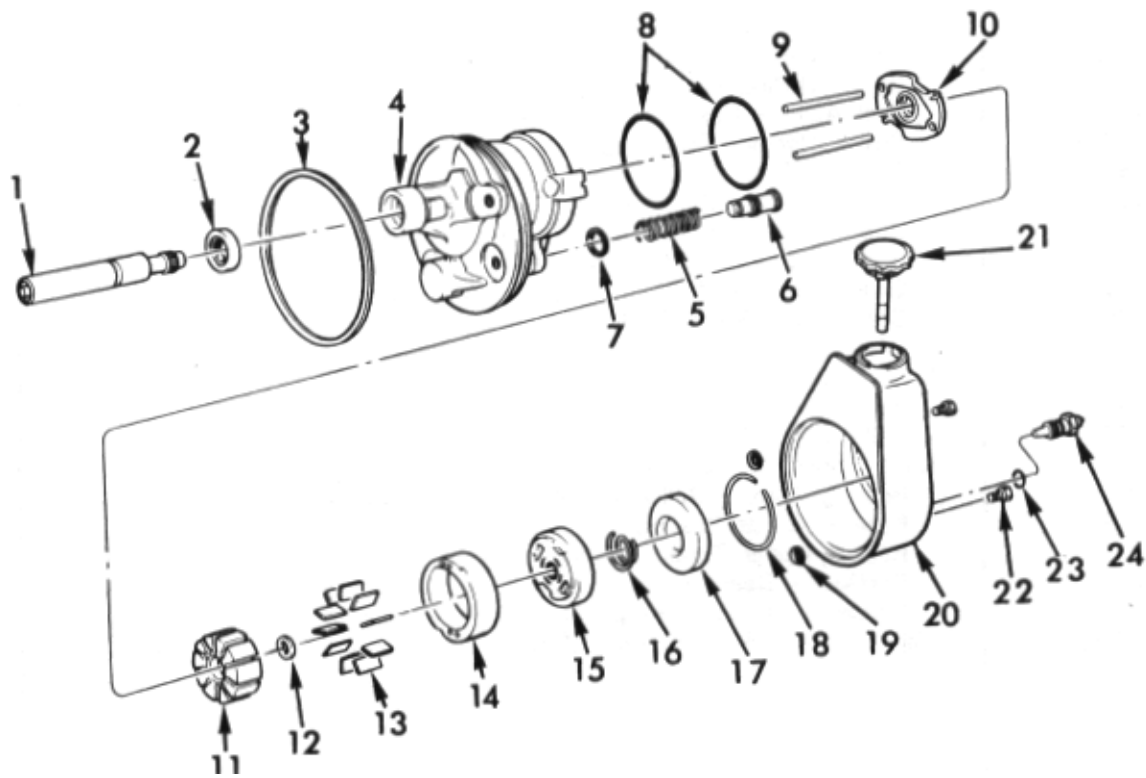


Figure 7-4 Pump Assembly Power Steering

GROUP 7 - STEERING 7-11

Item	Part Number	Description	Qty
Figure 7-4 PUMP ASSEMBLY .POWER STEERING			
	705464	Pump Asm. - Power Steering (6 Cylinder)	1
	705465	Pump Asm. - Power Steering (305)	1
	705901	Pump Asm. - Power Steering (350)	1
1	NSS	Shaft (See Kit 09904)	1
	04614	Ring - Shaft Retaining (Also See Kit 09904 &	1
2	07404	Seal - Pump Housing (Also in Kit 04600)	1
3	04605	Seal - O-Ring (Also in Kit 04600)	1
4	07403	Housing Asm. - Pump	1
	07404	Seal - Pump Housing	1
5	04627	Spring - Flow Control	1
6	09883	Valve Asm. - Control	1
7	NSS	Seal - O-Ring (See Kit 04600)	1
8	NSS	Seal - Pressure & End Plate (See Kit 04600)	2
9	04624	Pin - Pump Ring Dowel	2
10	07402	Plate - Thrust	1
11	NSS	Roto (See Kit 04601)	1
12	04614	Ring (Also in Kit 04601 & 09904)	1
13	NSS	Vane - Rotor (See Kit 04601)	10
14	04623	Ring - Pump (Also in Kit 04601)	1
15	04621	Plate - Pressure	1
16	04617	Spring - Pressure Plate	1
17	04609	Plate - End	1
18	04607	Ring - Retaining	1
19	NSS	Seal - O-Ring Reservoir (See Kit 04600)	2
20	09931	Kit - Reservoir (6 Cylinder)	1
	09932	Kit - Reservoir (8 Cylinder)	1
21	04675	Cap - Reservoir	1
22	04598	Stud - Pump Mt. 6 Cylinder	2
	04598	Stud - Pump Mt. 8 Cylinder	1
	09903	Bolt - Reservoir (8 Cylinder Only)	1
23	04610	Seal - O-Ring (Also in Kit 04600)	1
24	09866	Fitting - Discharge	1
	04610	Seal - Fitting	1
	NSS	Magnet (See Kit 04600)	1
	04600	Kit - Seal	1
	04601	(Consists of: 2, 3, 7, 8, 19, 23 & 25) Kit - Rotor, Vane & Ring	1
	09904	(Consists of: 11, 12, 13 & 14) Kit - Drive Shaft (Consists of: 1 & 12)	1

GROUP 7 - STEERING 7-12

A		A	
11		12	

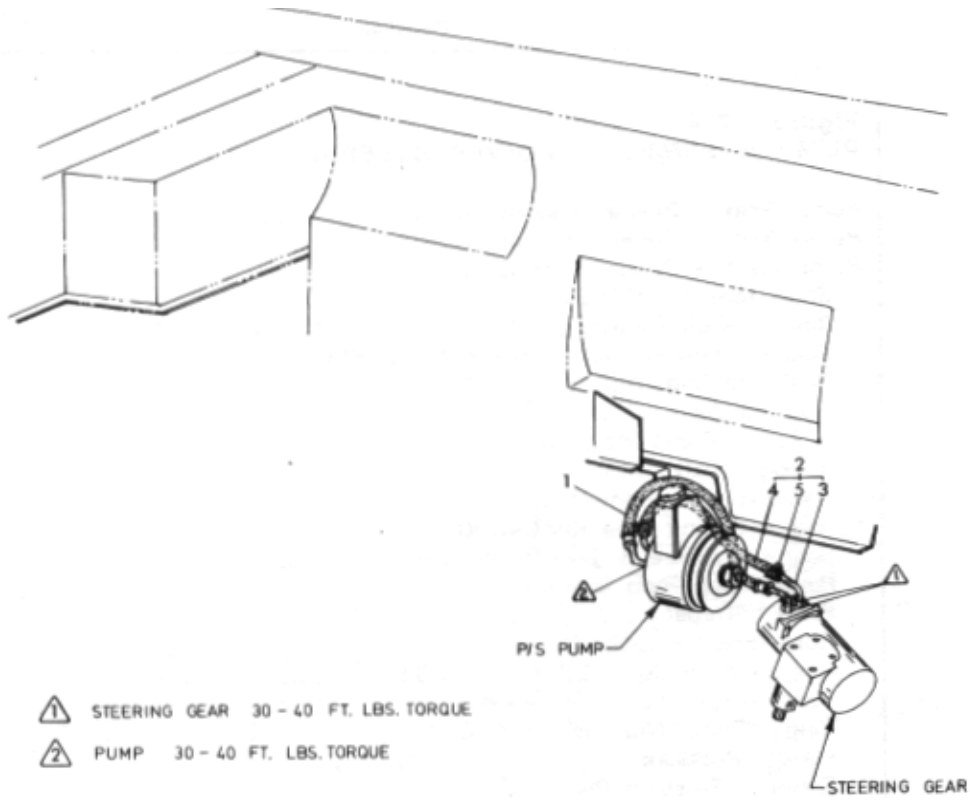


Figure 7-5 Hoses .Power Steering, 6 Cylinder, Forward

A		A	
11		12	

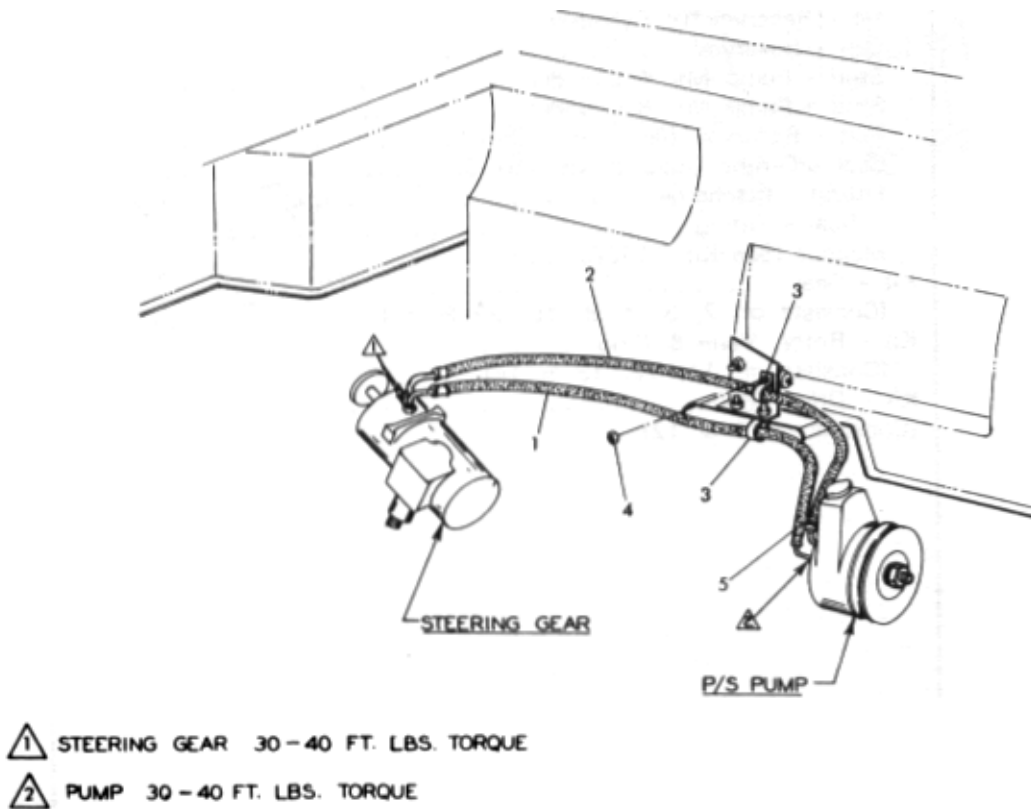


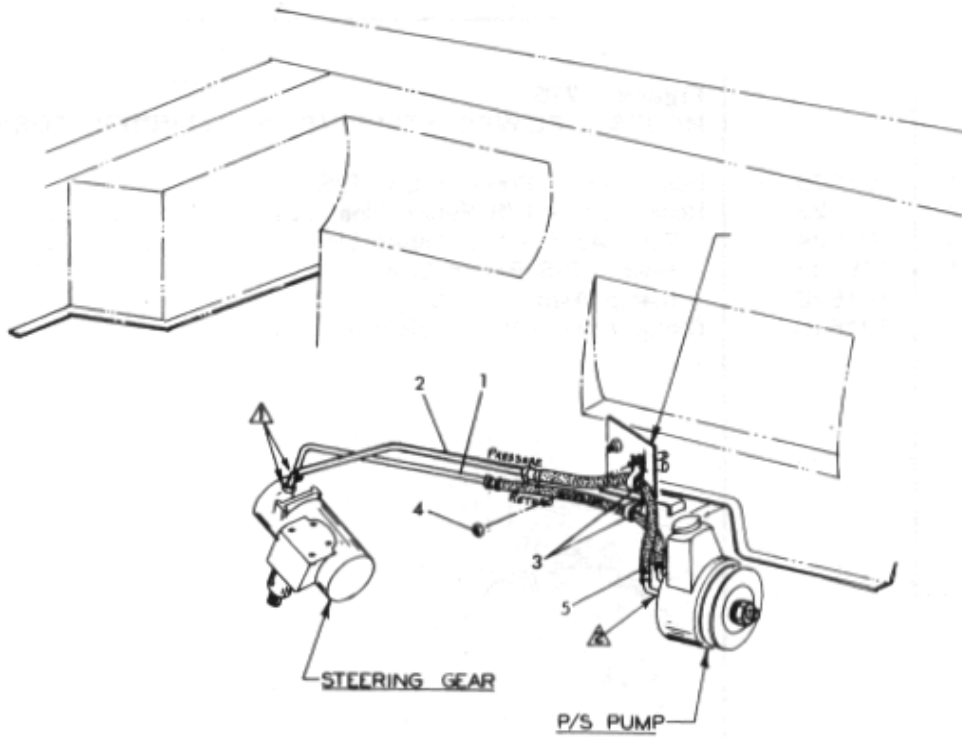
Figure 7-6 Hoses .Power Steering, 6 Cylinder, Rearward

GROUP 7 - STEERING 7-13

Item	Part Number	Description	Qty
Figure 7-5 HOSES - POWER STEERING, 6 CYLINDER, FORWARD			
1	707023	Hose Asm. - Pressure Line P/S	1
2	707022	Hose Asm. - P/S Return Line	1
3	707024	Tube Asm. - P/S Return Line	1
4	708134	Hose - P/S Return Line	1
5	701610	Clamp Asm. - Hose to Tube	1
	701610	Clamp Asm. - Return Hose to Pump	1
Figure 7-6 HOSES - POWER STEERING, 6 CYLINDER, REARWARD			
1	707067	Hose Asm. - Pressure Line P/S	1
2	705653	Hose Asm. - Return Line P/S	1
3	702221	Clamp (13/16 Closed)	2
4	120376	Nut (5/16 - 18 Hex)	1
5	701610	Clamp Asm. - P/S Return Line	1

GROUP 7 - STEERING 7-14

A	A	A	A
11	11	12	12
	E		E



- ① STEERING GEAR 30-40 FT. LBS. TORQUE
- ② PUMP 30-40 FT. LBS. TORQUE

Figure 7-7 Hoses .Power Steering, 8 Cylinder

A		A	
11		12	

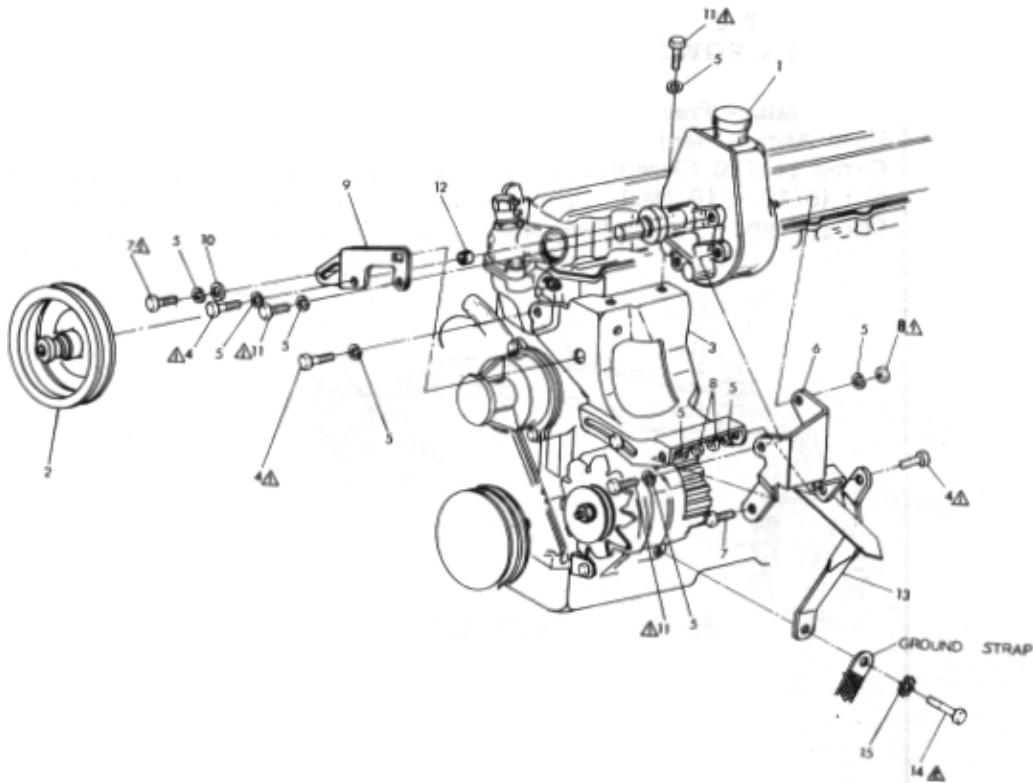


Figure 7-8 Pump Mounting .Power Steering (6 Cylinder)

GROUP 7 - STEERING 7-15

Item	Part Number	Description	Qty
Figure 7-7 HOSES .POWER STEERING, 8 CYLINDER			
1	705764	Hose .P/S Return Line	1
2	707060	Hose .P/S Pressure Line	1
3	702221	Clamp (13/16 Closed)	2
4	120376	Nut (5/16-18 Hex)	1
5	701610	Clamp Asm. .P/S Return Line	1
Figure 7-8 PUMP MOUNTING .POWER STEERING (6 Cylinder)			
1	705464	Pump Asm. .Power Steering	1
2	705766	Pulley Asm. .P/S Pump	1
3	708116	Bracket Asm. .P/S Pump Mt	1
4	180123	Bolt (3/8-16 X 1 1/8 Hex)	3
5	120382	LW (3/8 Med. Spring)	9
6	706957	Support .P/S Pump Lower	1
7	180122	Bolt (3/8-16 X 1 Hex)	2
8	120377	Nut (3/8-16 Hex)	3
9	706958	Support .P/S Pump Front	1
10	702262	Washer (13/32 ID X 3/4 OD)	1
11	180121	Bolt (3/8-16 X 7/8)	3
12	706250	Spacer .P/S Pump	1
13	705880	Brace & Shield Asm	1
14	180128	Bolt (3/8-16 X 1 3/4 Hex)	1
15	178551	LW (3/8 Int. Ext.)	1

GROUP 7 - STEERING 7-16

A	A	A	A
11	11	12	12
E	E		E

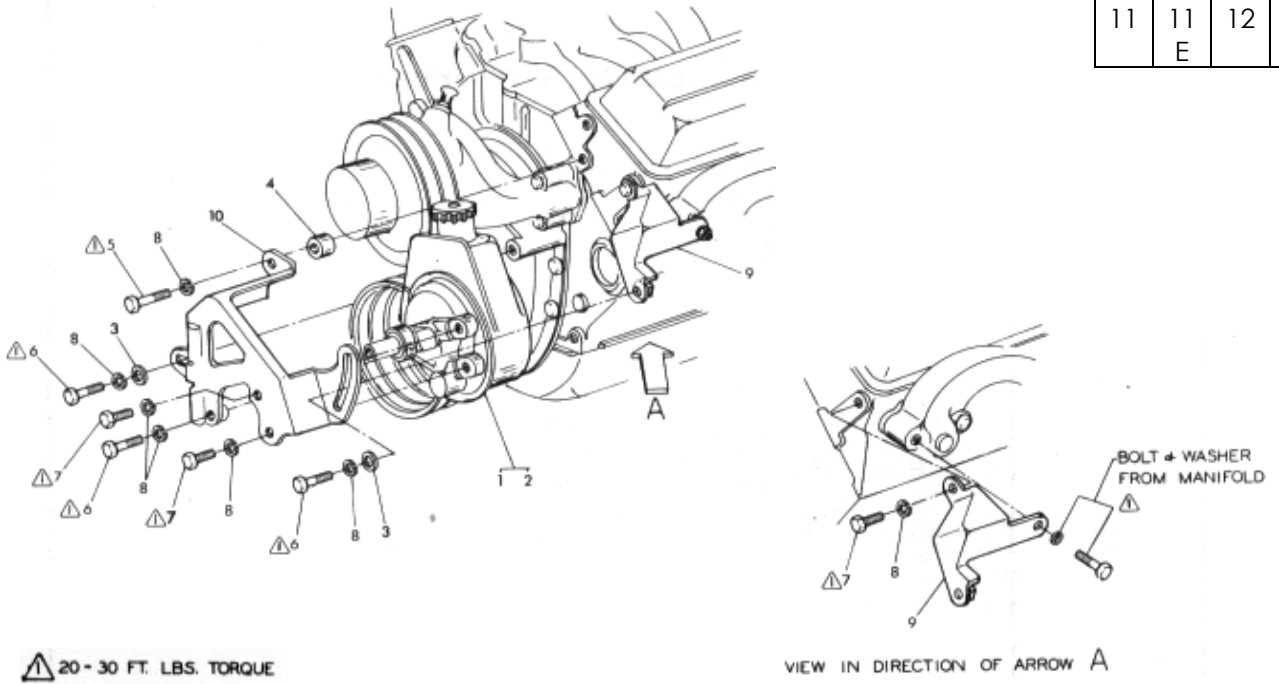


Figure 7-9 Pump Mounting - Power Steering (8 Cylinder) Without Air Conditioning

A	A	A	A
11	11	12	12
E	E		E

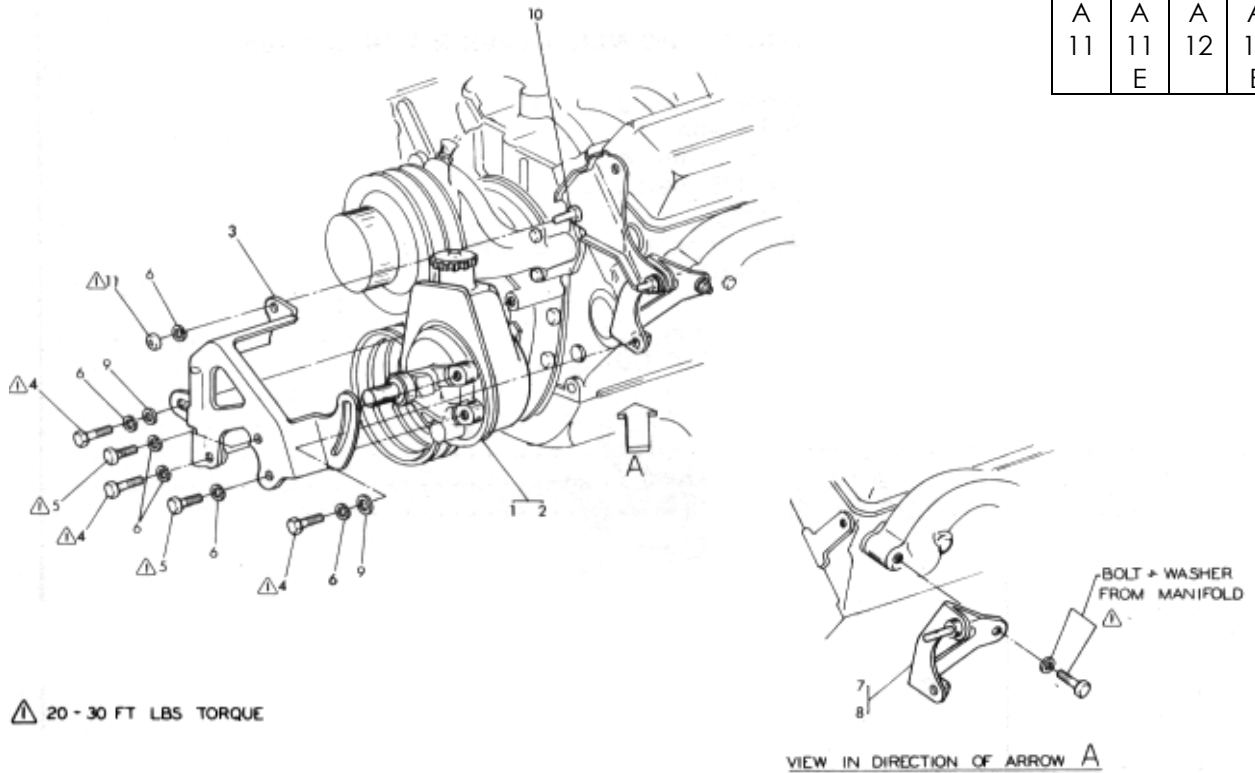


Figure 7-10 Pump Mounting - Power Steering (8 Cylinder) With Air Conditioning

GROUP 7 - STEERING 7-17

Item	Part Number	Description	Qty
Figure 7-9 PUMP MOUNTING .POWER STEERING (8 Cylinder) Without Air Conditioning			
1	705465	Pump Asm. .Power Steering (305)	1
2	705901	Pump Asm. .Power Steering (350)	1
3	702177	Washer .Brace & Stud	2
4	708032	Spacer .Power Steering Pump	1
5	180124	Bolt (3/8-16 X 1 1/4 Hex)	1
6	180123	Bolt (3/8-16 X 1 1/8 Hex)	3
7	180120	Bolt (3/8-16 X 3/4 Hex)	3
8	120382	LW (3/8 Med. Spring)	7
9	707002	Support Asm. .Power Steering Pump Adjusting Bracket	1
10	705872	Bracket Asm. .Power Steering Pump Pivot	1
Figure 7-10 PUMP MOUNTING .POWER STEERING (8 Cylinder) With Air Conditioning			
1	705465	Pump Asm. - Power Steering (305)	1
2	705901	Pump Asm. - Power Steering (350)	1
3	705872	Bracket Asm. - P/S Pump Pivot	1
4	180123	Bolt (3/8-16 X 1 1/8)	3
5	180120	Bolt (3/8-16 X 3/4)	2
6	120382	LW (3/8 Med. Spring)	6
7	705954	Support Asm. - Power Steering Pump Adjusting Bracket (305)	1
8	705991	Support Asm. - Power Steering Pump Adjusting Bracket (350)	1
9	702177	Washer - Brace & Stud	2
10	70803	Stud	1
11	120377	Nut (3/8-16 Hex)	1