

Group 5

BRAKES

Contents

Title	Section Page	
Parking Brake	5-1	5-2
Brake Pedal and Support Installation	5-2	5-4
Brake Assembly .Front Disc	5-3	5-6
Brake Assembly .Rear	5-4	5-8
Power Brake Assemblies .6 and 8 Cylinder	5-5	5-10
Brake Lines and Fittings	5-6	5-12
Power Brake Vacuum Hose and Fittings, 6 Cylinder	5-7	5-14
Power Brake Vacuum Hose and Fittings, 8 Cylinder	5-8	5-14

GROUP 5 – BRAKES 5-2

A	A	A	A
11	11	12	12
E	E	E	E

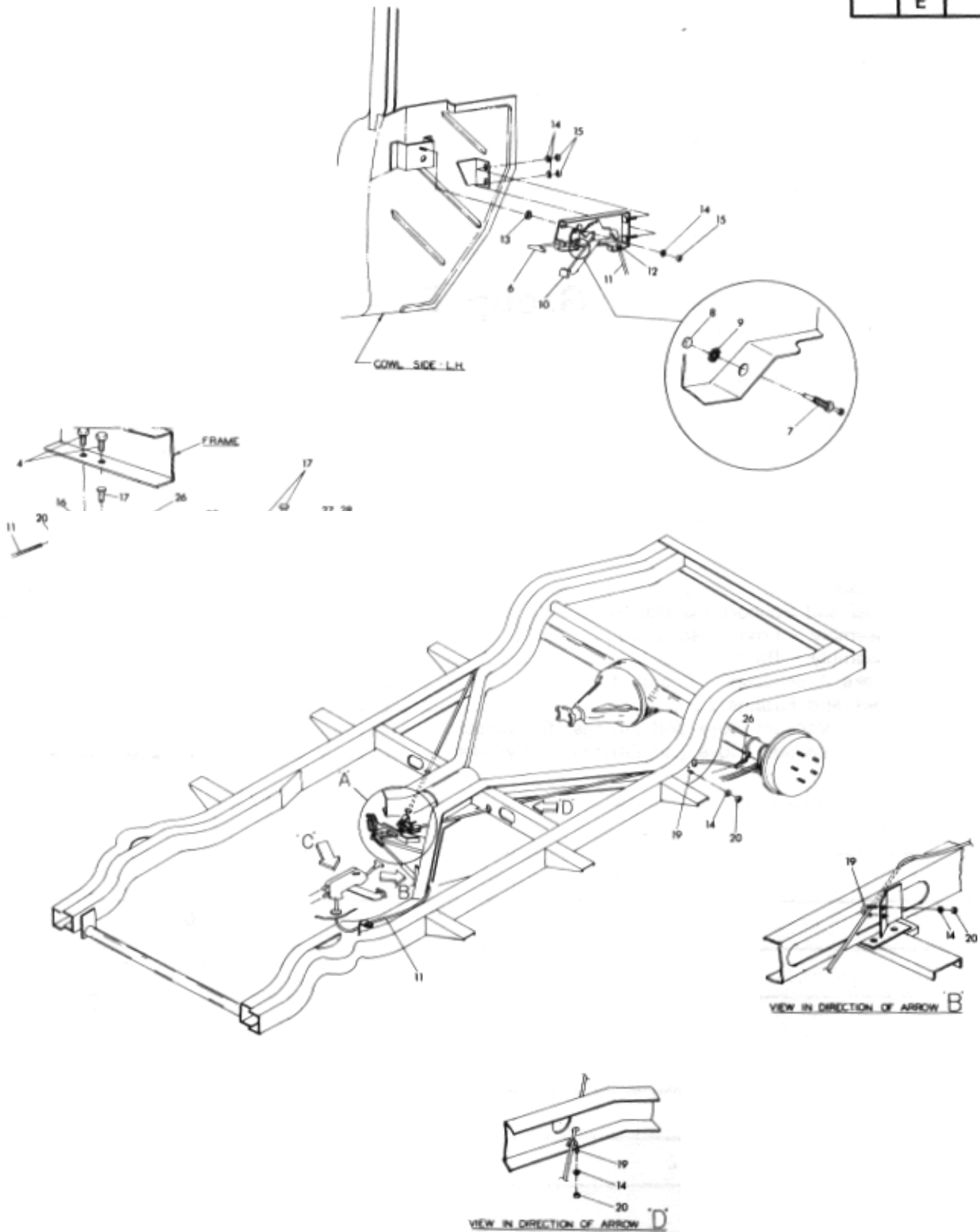


Figure 5-1 Parking Brake

GROUP 5 – BRAKES 5-3

Item	Part Number	Description	Qty
Figure 5-1 Parking Brake			
1	705502	Bracket Asm	1
2	706563	Bracket	1
3	706564	Plate	1
4	181635	Bolt (3/8-24 X 3/4 Hex)	2
5	274643	Nut (3/8-24 Ser. Hex Lock)	2
6	705055	Control Asm	1
7	704766	Switch Asm	1
8	124824	Nut (5/16-18 Hex Jam)	1
9	138485	LW (5/16 Ext. Tooth)	1
10	94336	Pad - Pedal	1
11	705049	Cable Asm. - Front	1
12	706198	Retainer - Cable	1
13	626322	Washer (5/16 ID X 7/8 OD)	1
14	120214	LW (5/16 Med. Spr.)	8
15	120376	Nut (5/16-18 Hex)	3
16	144242	Clevis (5/16 Adjusting)	1
17	120690	Pin (5/16 Clevis)	3
18	121222	Cotter Pin (3/32 X 3/4)	4
19	70779	Clamp - Cable Rear	5
20	120368	Nut (5/16-24 Hex)	6
21	94782	Lever - Frame	1
22	94643	Rod - Equalizer	1
23	702155	Equalizer	2
24	80517	Pivot - Equalizer	1
25	626851	Nut (5/16-24 Hex Crown Lock)	1
26	94348	Spring - Cable Return	3
27	703744	Cable Asm. - 120" WB	2
28	703745	Cable Asm. - 129" WB	2

GROUP 5 – BRAKES 5-4

A	A	A	A
11	11	12	12
	E		E

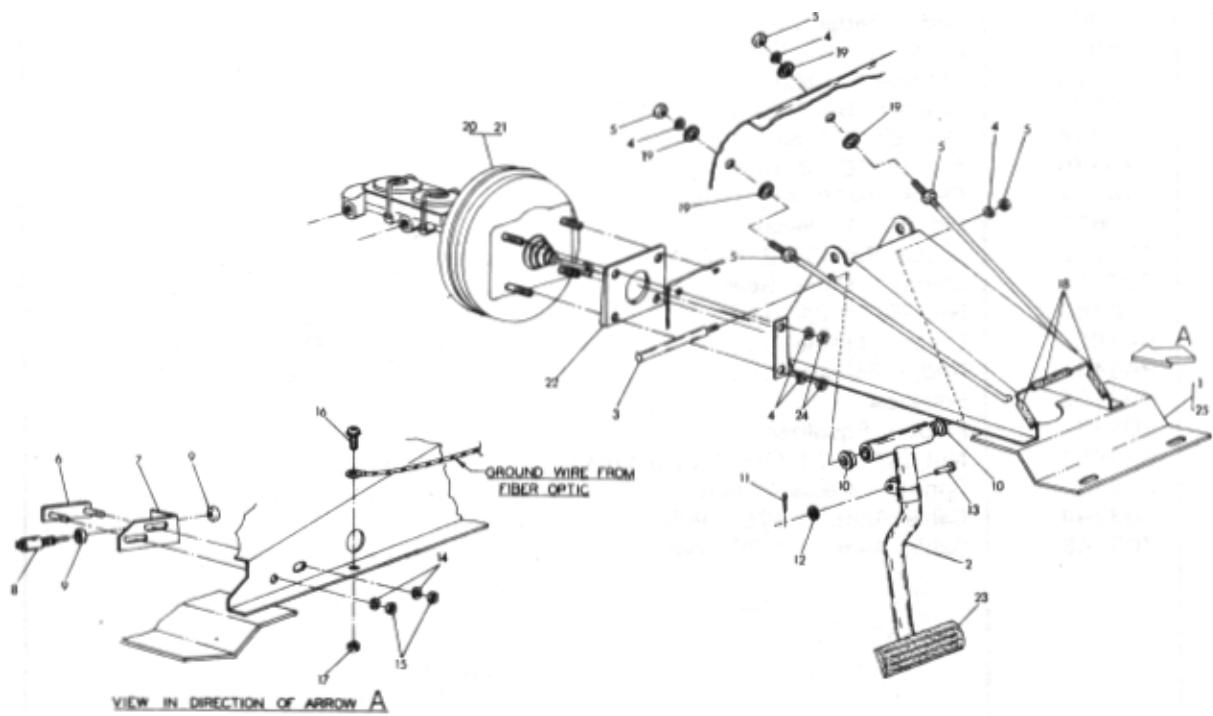


Figure 5-2 Brake Pedal and Support Installation

Checker Motors Corp.

GROUP 5 – BRAKES 5-5

Item	Part Number	Description	Qty
Figure 5-2 BRAKE PEDAL AND SUPPORT INSTALLATION			
1	705983	Support Asm. .Pedal Welded Forward Steering	1
	705730	Support Asm. .Pedal Welded Rearward Steering	1
	707064	Pedal Asm. .Brake Complete	1
2	707063	Pedal Asm. .Welded	1
3	702808	Bushing .Pedal	2
	94430	Shaft .Pedal	1
4	120382	LW (3/8 Med. Spr.)	7
5	120369	Nut (3/8-24 Hex)	5
6	701905	Retainer	1
7	704052	Bracket	1
8	703939	Switch .Stoplight	1
9	626884	Locknut (1/2-20 Hex)	2
10	702808	Bushing .Pedal	2
11	121222	Cotter Pin (3/32 X 3/4)	1
12	120394	Washer (13/32 ID X 13/16 OD)	1
13	114785	Clevis Pin (3/8)	1
14	120214	LW (5/16 Med. Spr.)	2
15	120376	Nut (5/16-18 Hex)	2
16	273513	Screw & Lockwasher Asm. (#10-24 X 1/2)	1
17	120361	Nut (#10-24 Hex)	1
18	706258	Guard .Pedal Support	3
19	446477	Washer (7/16 ID X 1 3/8 OD)	4
20	705826	Cylinder Asm. .P/B (6 Cyl.)	1
21	707025	Cylinder Asm. .P/B (8 Cyl.)	1
22	706778	Spacer .P/B (8 Cyl. Only)	1
23	706297	Cover .Pedal Pad	1
24	120377	Nut (3/8-16 Hex)	4

GROUP 5 – BRAKES 5-6

A	A	A	A
11	11	12	12
	E		E

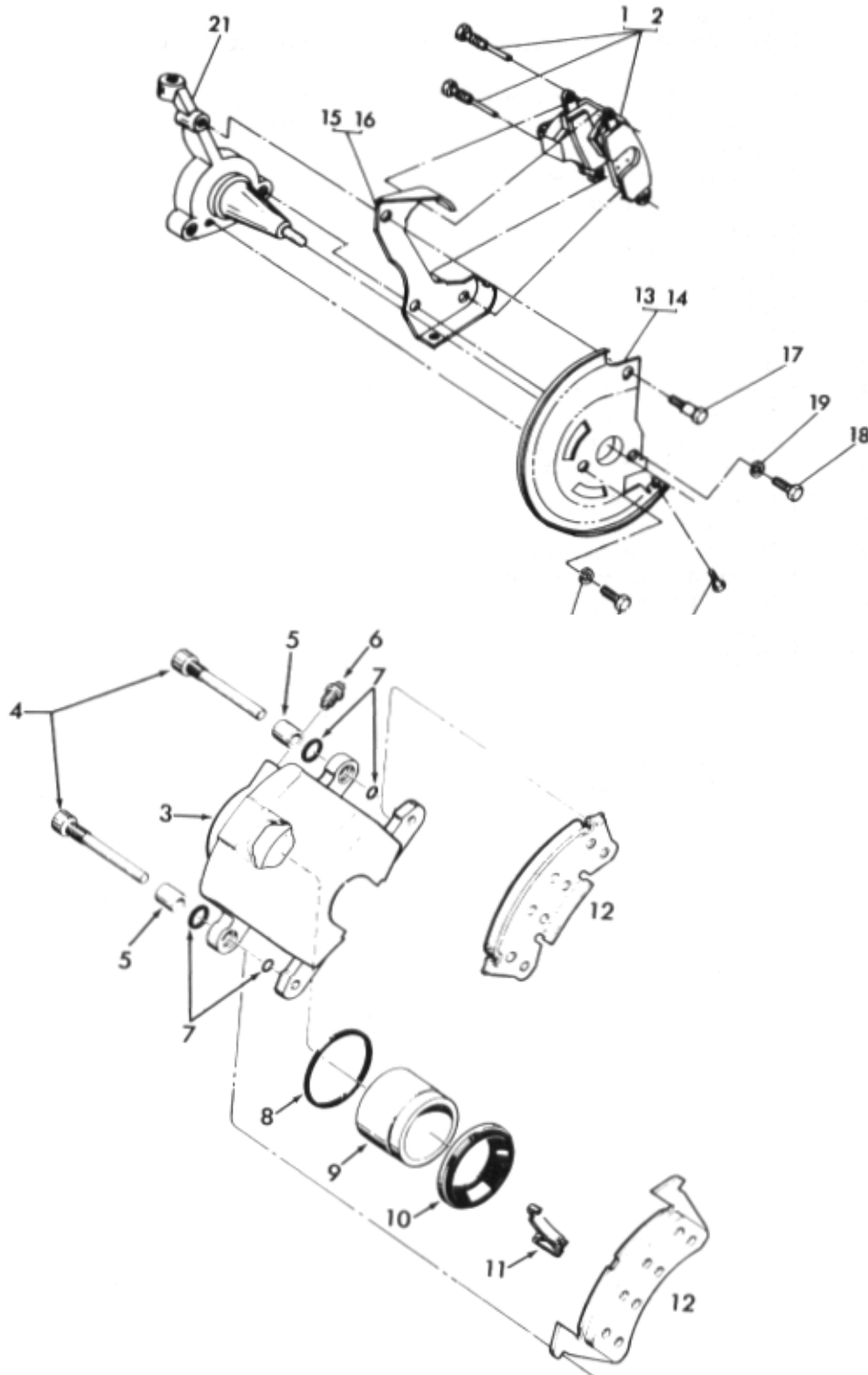


Figure 5-3 Brake Assembly .Front Disc

Checker Motors Corp.

GROUP 5 – BRAKES 5-7

Item	Part Number	Description	Qty
Figure 5-3 BRAKE ASSEMBLY - FRONT DISC			
1	010648	Caliper Asm. - Disc Brake LH	1
2	010649	Caliper Asm. - Disc Brake RH	1
		Note: Service Caliper Asm's Do Not Contain Shoe & Lining Asm's	1
3	NSS	Housing - Disc Brake LH	1
	NSS	Housing - Disc Brake RH	4
4	010588	Bolt - Housing Ret	4
5	010591	Sleeve - Bolt Ret	4
6	010561	Valve - Bleeder	2
7	010562	Bushing - Rubber (Small)	4
	010563	Bushing - Rubber (Large)	4
	010569	Kit - Caliper Repair	2
8	NSS	Seal	2
9	NSS	Boot	2
10	010564	Piston	2
11	010573	Spring - Shoe	2
	010656	Kit - Shoe & Lining	1
12	NSS	Shoe & Lining (Inboard)	2
	NSS	Shoe & Lining (Outboard)	2
	010562	Bushing - Rubber (Small)	4
	010563	Bushing - Rubber (Large)	4
	010591	Sleeve - Bolt Ret	4
	010657	Lubricant - Silicon	A/R
13	703753	Shield Asm. - Splash LH	1
14	703754	Shield Asm. - Splash RH	1
	704835	Protector - Bearing	2
15	703347	Bracket Asm. - LH	1
16	703348	Bracket Asm. - RH	1
17	626816	Bolt	2
18	181696	Bolt (1/2-20 X 1 Hex)	4
19	131101	LW (1/2 Hvy. Spr.)	4
20	448655	Screw (1/4-28 X 1/2 Hex)	2
21	706492	Knuckle - Steering	2
	704831	Knuckle - Steering	2

GROUP 5 – BRAKES 5-8

A 11	A 11 E	A 12	A 12 E
---------	--------------	---------	--------------

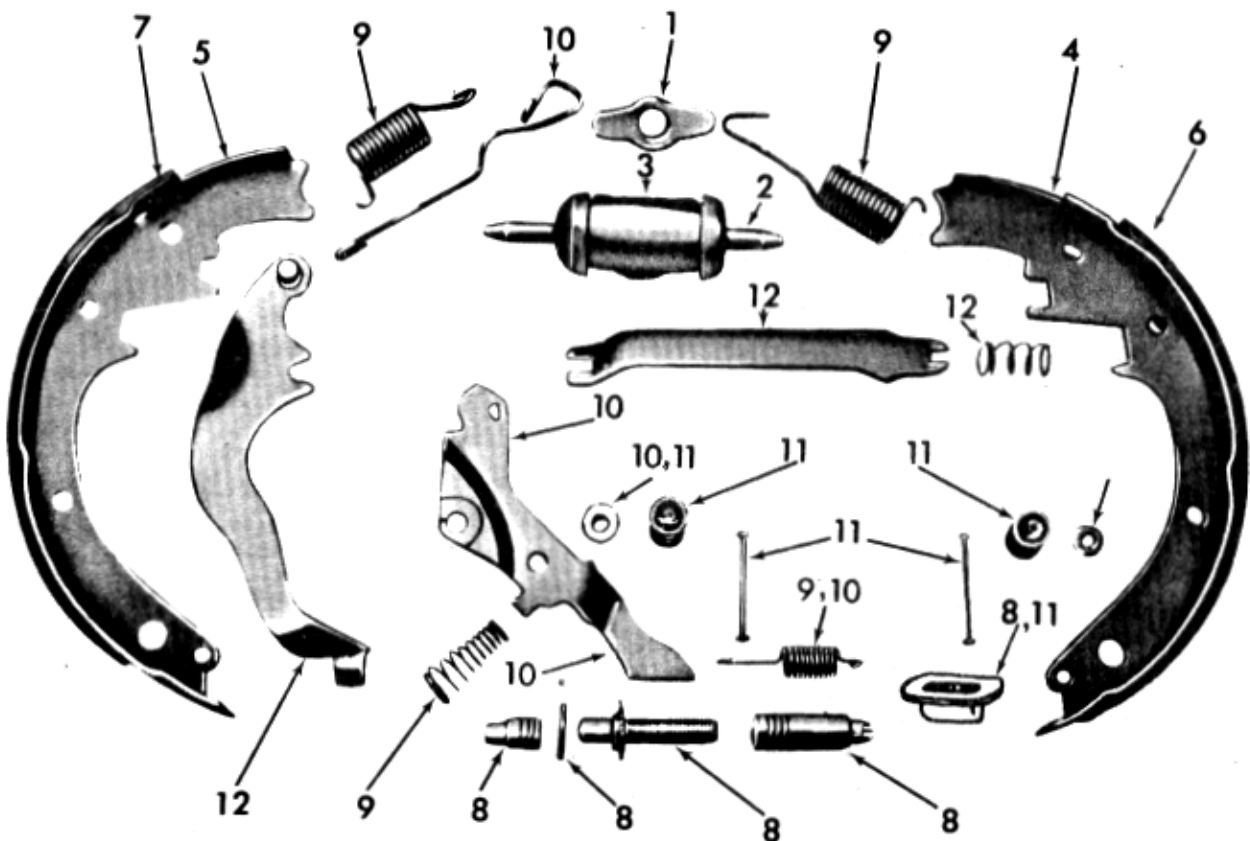


Figure 5-4 Brake Assembly Rear

GROUP 5 – BRAKES 5-9

Item	Part Number	Description	Qty
Figure 5-4 BRAKE ASSEMBLY – REAR			
	705807	Brake Asm. - Rear LH	1
	705808	Brake Asm. - Rear RH	1
	010678	Plate - Backing LH	1
	010679	Plate - Backing RH	1
	180073	Bolt - W/C Mt	4
	120214	Lockwasher - W/C Mt	4
1	010680	Plate - Shoe Guide	2
2	010681	Link - Connecting	4
3	010518	Wheel Cylinder Asm	2
	010663	Kit - Wheel Cylinder (Consists of Boots, Cups & Spring)	2
	010516	Valve - Bleeder	2
	010682	Kit - Shoe & Lining	1
4	NSS	Shoe - Primary	2
5	NSS	Shoe - Secondary	2
	010683	Kit - Lining	1
6	NSS	Lining - Primary	2
7	NSS	Lining - Secondary	2
8	010688	Kit - Adj. Screw LH	1
	010689	Kit - Adj. Screw RH	1
	NSS	Nut	1
	NSS	Screw	1
	NSS	Socket	1
	NSS	Washer	1
	NSS	Cover	1
9	010684	Kit - Brake Spring (Axle Set)	1
	NSS	Spring - Sec. Return	2
	NSS	Spring - Pri. Return	2
	NSS	Spring - Adj. Screw	2
	NSS	Spring - Automatic Adj. Return	2
10	010611	Kit - Auto. Adj. LH	1
	010612	Kit - Auto. Adj. RH	1
	NSS	Spring - Adj. Screw	1
	NSS	Adj. Lever - LH or RH	1
	NSS	Adj. Pawl - LH or RH	1
	NSS	Sleeve	1
	NSS	Link	1
11	010685	Kit - Hold Down Spring (Axle Set)	1
	NSS	Cover - Dust	2
	NSS	Spring - Hold Down Sec	2
	NSS	Spring - Hold Down Pri	2
	NSS	Sleeve	2
	NSS	Pin	4
12	010686	Kit - Parking Brake Lever & Strut LH	1
	010687	Kit - Parking Brake Lever & Strut RH	1
	NSS	Strut - Parking Brake LH or RH	1
	NSS	Spring - Strut to Shoe	1
	NSS	Lever - Parking Brake LH or RH	1

GROUP 5 – BRAKES 5-10

A 11	A 11 E	A 12	A 12 E
---------	--------------	---------	--------------

TO BE ADDED WHEN AVAILABLE

Figure 5-5 Power Brake Assemblies .6 and 8 Cylinder

Checker Motors Corp.

GROUP 5 – BRAKES 5-11

Item	Part Number	Description	Qty
Figure 5-5 POWER BRAKE ASSEMBLIES 6 AND 8 CYLINDER			
		6 CYLINDER	
	705826	Cylinder Asm. - Power Brake	1
	010665	Power Head Asm	1
	010667	Kit - Power Head Repair (Consists of: Housing Seals, Boot, Lubricant, Silencer, Air Filter, Piston, Bearing, Air Valve, Check Valve, Diaphragm, Air Silencer, Grommet, Piston Support Retainer, "O" Ring, Bumper, Control Valve, Retainer & Int. Retainer.)	1
	010655	Kit - Vacuum Check Valve & Grommet	1
	08956	Kit - Power Head Piston	1
	010629	Rod Asm. - Piston (Adjustable)	1
	010675	Master Cylinder Asm	1
	010584	Diaphragm - Reservoir	1
	010673	Cover - Reservoir	1
	010586	Bail Wire - Master Cyl. Cover	1
	010677	Secondary Piston	1
	010694	Diaphragm Retainer Package	1
	010676	Kit - Master Cylinder Repair (Consists of: Primary Piston, Reservoir Diaphragm, Primary Seal, Secondary Seal, Seal Protector & Retaining Ring)	1
		8 CYLINDER	
	707025	Cylinder Asm. - Power Brake	1
	010690	Power Head Asm	1
	010691	Kit - Power Head Repair (Consists of: Housing Seals, Boot, Lubricant, Silencer, Air Filter, Primary Piston Bearing, Secondary Piston Bearing, Air Valve, Check Valve, Primary Diaphragm, Air Silencer, Grommet, Control Valve, Retainer, Reaction Disc, External Retainer & Bumper.)	1
	010655	Kit - Vacuum Check Valve & Grommet	1
	010692	Kit - Power Head Piston	1
	010670	Rod Asm. - Piston	1
	010675	Master Cylinder Asm	1
	010584	Diaphragm - Reservoir	1
	010673	Cover - Reservoir	1
	010586	Bail Wire - Master Cyl. Cover	1
	010677	Secondary Piston	1
	010694	Diaphragm Retainer Package	1
	010676	Kit - Master Cylinder Repair (Consists of: Primary Piston, Reservoir, Diaphragm, Primary Seal, Secondary Seal, Seal Protector & Retaining Ring)	1

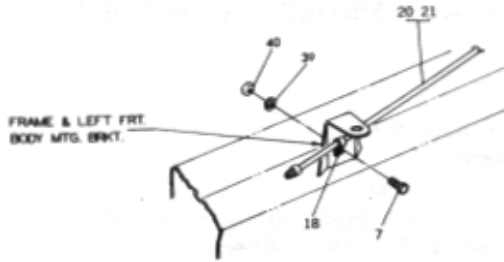
GROUP 5 – BRAKES 5-12

A	A	A	A
11	11	12	12
	E		E

PLUGS (32) A (33) MUST PROTECT INLET PORTS FROM ANY WATER OR FOREIGN

10 VALVE.
BLEEDING INSTRUCTIONS:

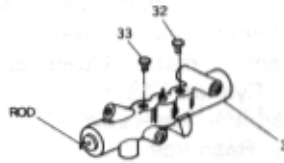
VIEW IN DIRECTION OF ARROW B



MATERIAL PLUGS ARE TO DISCARDED WHEN TUBES ARE ASSEMBLED

FOR PRODUCTION USING CHECKER TOOL NO TS- 4887

FOR SERVICE, USING CHECKER TOOL NO. 73- 4887 OR KELSEY HAYES LEVER NO. D-84464, P.J.L ROD WITH A FORCE OF 25-38 IN. LBS. FOR A MIN. TRAVEL OF 3/32".



△ 5-7 FT LBS. TORQUE
△ 14-15 FT LBS. TORQUE

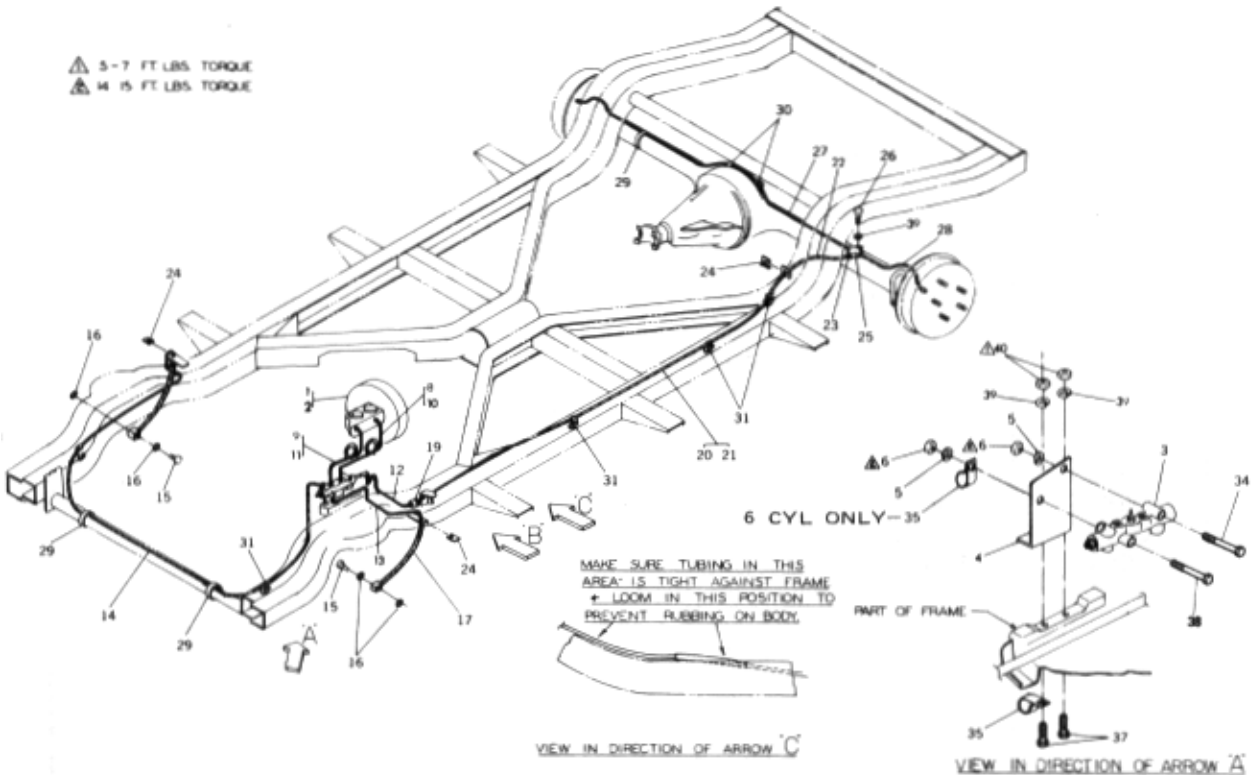


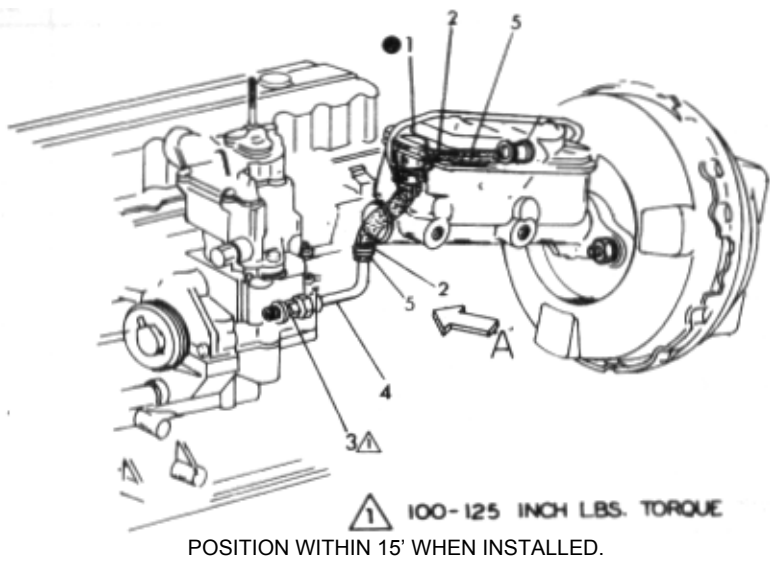
Figure 5-6 Brake Lines and Fittings

GROUP 5 – BRAKES 5-13

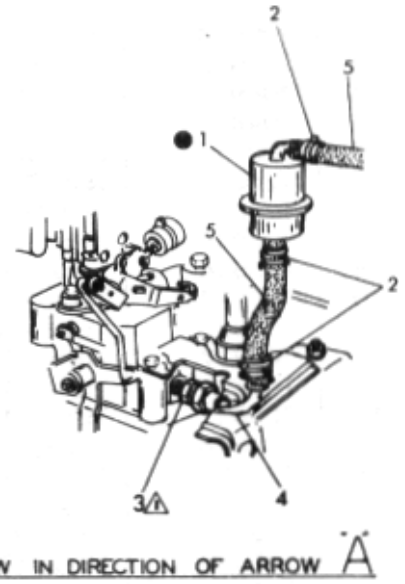
Item	Part Number	Description	Qty
Figure 5-6 BRAKE LINES AND FITTINGS			
1	705826	P/B Asm. - Complete (6 Cyl.)	1
2	707025	P/B Asm. - Complete (8 Cyl.)	1
3	705973	Valve Asm	1
4	704865	Bracket - Valve Mt	1
5	120214	LW (5/16 Med. Spr.)	3
6	120376	Nut (5/16-18 Hex)	3
7	121887	Bolt (1/4-20 X 3/4 Hex)	1
8	703936	Tube - M/C to Valve (6 Cyl.)	1
9	703934	Tube - M/C to Valve (6 Cyl.)	1
10	705624	Tube - M/C to Valve (8 Cyl.)	1
11	705622	Tube - M/C to Valve (8 Cyl.)	1
12	703827	Tube - Valve to Union	1
13	703828	Tube - Vlv. to LH Frt. Brake	1
14	705097	Tube - Vlv. to RH Frt. Brake	1
15	704568	Fitting - Brake Hose	2
16	23138	Gasket - Hose Fitting	4
17	703731	Hose Asm. - Frt. Brake	2
18	80361	Clip - Tube to Frame	1
19	137412	Union (3/16 Inv. Flare)	1
20	701899	Tube (120" WB)	1
21	701900	Tube (129" WB)	1
22	703252	Hose - Rear Brake	1
23	94411	Gasket - Rear Brake Hose	1
24	70875	Clip - Brake Hose	3
25	94386	Fitting - Rear Brake Tee	1
26	123461	Bolt (1/4-28 X 1 Hex)	1
27	93955	Tube - RH Rear Brake to Tee	1
28	93950	Tube - LH Rear Brake to Tee	1
29	80345	Clamp - Brake Lines	3
30	80352	Clip - RH Rear Brake Line	2
31	626848	Clip - Brake Lines to Frame	1
32		See Illustration Note.	
33		See Illustration Note.	
34	180089	Bolt (5/16-18 X 2 1/4 Hex)	1
35	702221	Clamp (13/16 Closed)	2
36	271172	Nut & LW Asm. (1/4-20)	1
37	121887	Bolt (1/4-20 X 3/4 Hex)	2
38	180087	Bolt (5/16-18 X 2 Hex)	1
39	120380	LW (1/4 Med. Spr.)	4
40	120375	Nut (1/4-20 Hex)	3

GROUP 5 – BRAKES 5-14

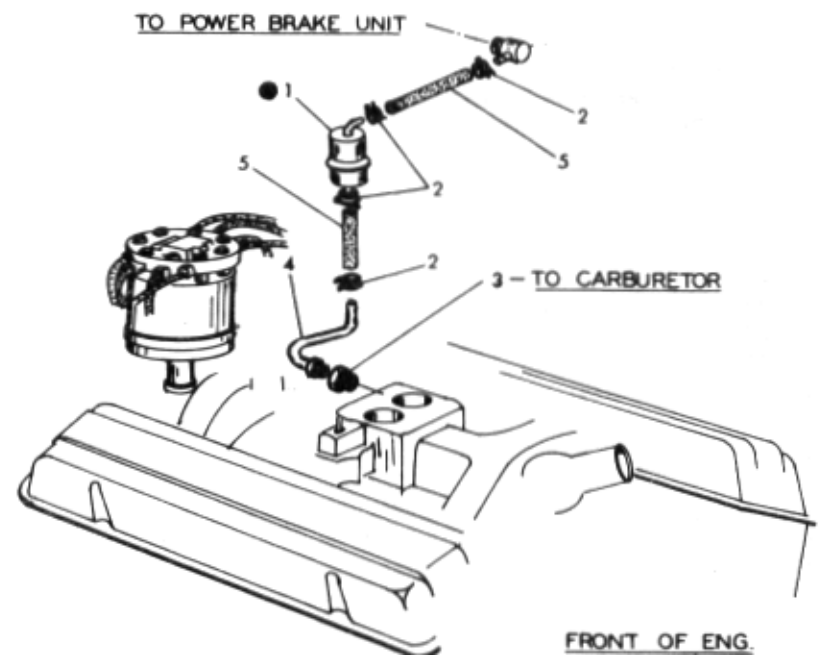
A		A	
11		12	



FILTER ASM. MUST BE IN A VERTICAL POSITION



A	A	A	A
11	11	12	12
	E		E



FILTER ASM. MUST BE IN A VERTICAL POSITION WITHIN 5° WHEN INSTALLED.

Figure 5-8 Power Brake Vacuum Hose and Fittings, 8 Cylinder

GROUP 5 – BRAKES 5-15

Item	Part Number	Description	Qty
Figure 5-7			
POWER BRAKE VACUUM HOSE AND FITTINGS, 6 CYLINDER			
1	707028	Filter Asm. - Brake (Vac. Line)	1
2	702104	Clamp - Hose (5/8 ID)	4
3	706280	Connector - P/B Pipe	1
4	705157	Pipe Asm. - Vacuum Power Brake	1
5	708138	Hose - P/B Vacuum (3")	2
Figure 5-8			
POWER BRAKE VACUUM HOSE AND FITTINGS, 8 CYLINDER			
1	707028	Filter Asm. - Brake (Vac. Line)	1
2	702104	Clamp - Hose (5/8 ID)	4
3	442323	Connector (3/8 Inv. Fl. X 1/4 NPTF)	1
4	707027	Pipe Asm. - Vacuum P/B	1
5	708138	Hose - P/B Vacuum (3")	2