

GROUP 15 – EXHAUST SYSTEM – 15-1

Group 15 EXHAUST SYSTEM

Contents

Title	Section	Page
Exhaust System .6 & 8 Cylinder	15-1	15-2
Exhaust System .6 & 8 Cylinder	15-2	15-4

GROUP 15 – EXHAUST SYSTEM – 15-2

A	A	A	A
11	11	12	12
E	E		E

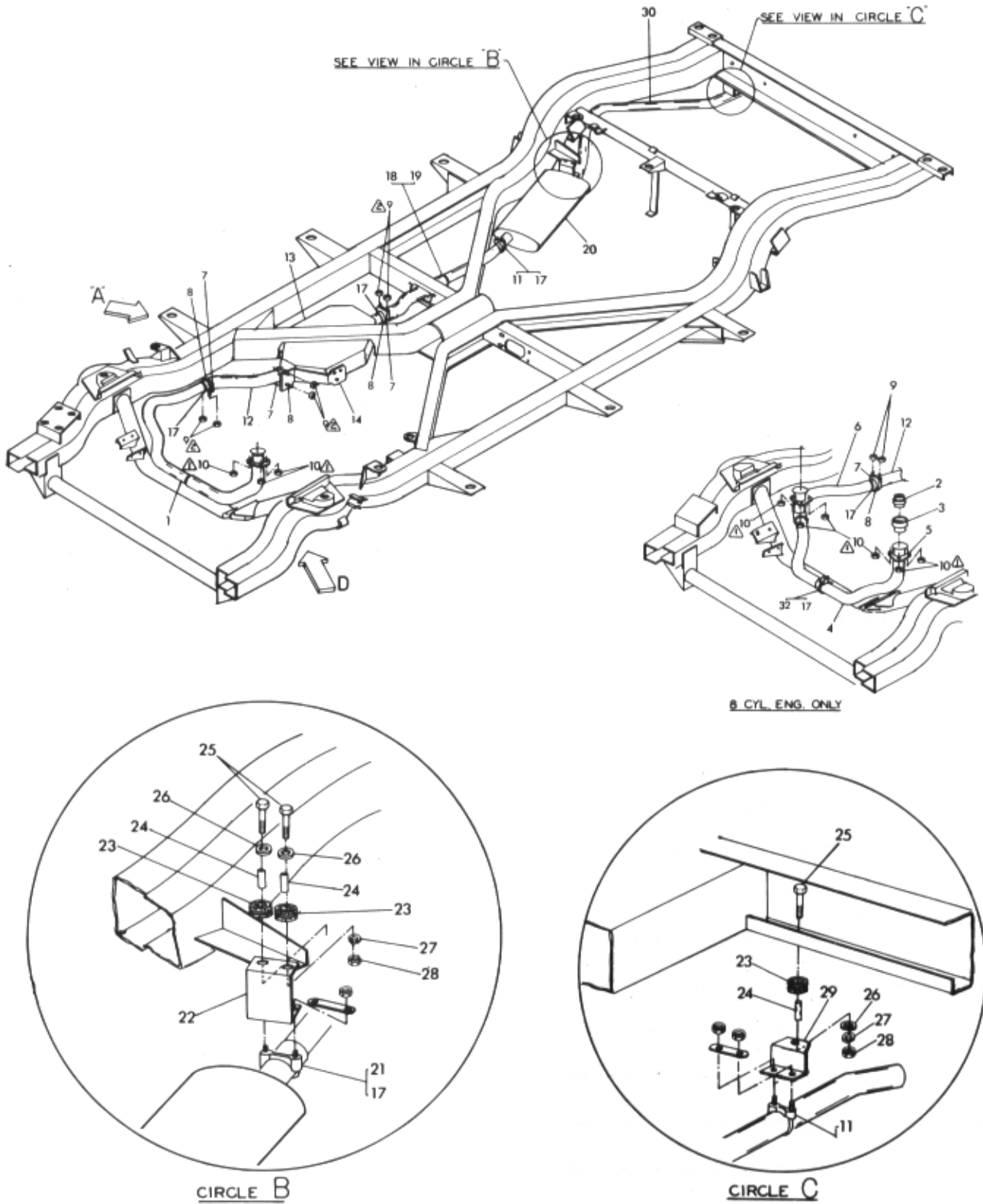
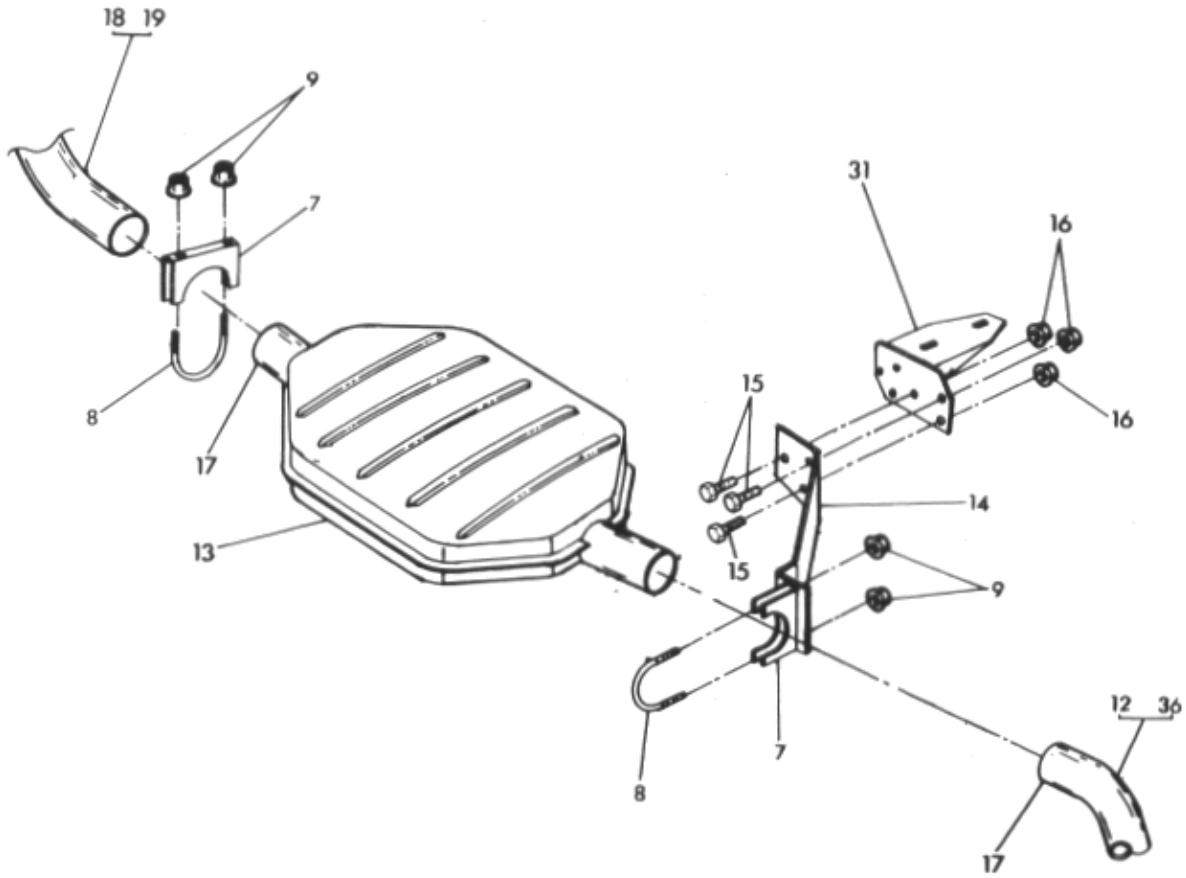


Figure 15-1 Exhaust System .6 & 8 Cylinder
Checker Motors Corp.

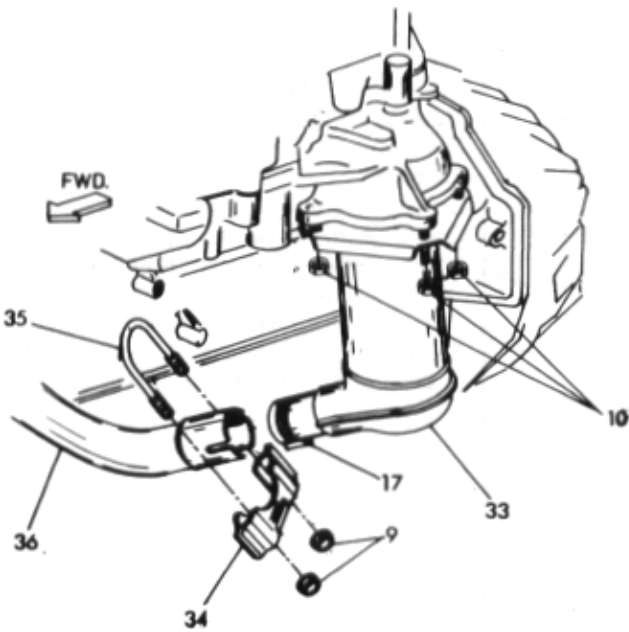
GROUP 15 – EXHAUST SYSTEM – 15-3

Item	Part Number	Description	Qty
Figure 1 5-1 EXHAUST SYSTEM - 6 & 8 CYLINDER			
1	705479	Pipe Asm. - Exhaust (6 Cyl.)	1
2	702252	Gasket - Exhaust Pipe LH (8 Cyl.)	1
3	706594	Ext. - Exhaust Pipe Upper (8 Cyl.)	1
4	706548	Pipe - Exhaust LH (8 Cyl.)	1
5	702271	Flange - Exhaust Pipe (8 Cyl.)	1
6	705480	Pipe Asm. - Exhaust RH (8 Cyl.)	1
	707052	Clamp Asm. Rearward Steering	3
	707052	Clamp Asm. Forward Steering	2
7	708124	Clamp - Exhaust (Metric)	1
8	708123	"U" Bolt - Exhaust (Metric)	1
9	11501850	Nut - Metric Style (2 Flg. Hex. M10 X 1.5)	1
10	626779	Nut (3/8-16 Hex Lock) 6 Cylinder	3
	626779	Nut (3/8-16 Hex Lock) 8 Cylinder	6
11	705291	Clamp Asm. (2")	2
12	705481	Tube Asm. - Exhaust Converter Inlet	1
13	705939	Converter Asm. - Exhaust	1
14	705929	Adapter Asm. - Exhaust Converter Support	1
15	181635	Bolt (3/8-24 X 3/4 Hex)	3
16	274643	Nut (3/8-24 Hex Lock)	3
17	ML-110	Sealer	1
18	706556	Ext. - Exhaust Pipe 120" WB	1
19	706557	Ext. - Exhaust Pipe 129" WB	1
20	705527	Muffler Asm	1
21	705290	Clamp Asm. (1 7/8")	1
22	94293	Bracket	1
23	94350	Insulator	3
24	94292	Spacer	3
25	123798	Bolt (5/16-24 X 1 3/4 Hex)	3
26	94354	Washer	3
27	120214	LW (5/16 Med. Spring)	3
28	120368	Nut (5/16-24 Hex)	3
29	94676	Bracket	1
30	706461	Tailpipe	1
31	705503	Bracket Asm. - Exhaust Cony	1
32	705588	Clamp Asm. Exhaust Pipe (8 Cyl.)	1
33	705999	Cony. Asm. - Exhaust Manifold	1
34	708121	Clamp - Exhaust (Metric)	1
35	708122	"U" Bolt - Exhaust (Metric)	1
36	705942	Tube Asm. - Exhaust W/U Cony, to Cony (Items 33-36, 6 Cyl. Forward Steering Only)	1

GROUP 15 – EXHAUST SYSTEM – 15-4



VIEW IN DIRECTION OF ARROW A



VIEW IN DIRECTION OF ARROW D
6 CYL WITH FORWARD STEERING

Figure 15-2 Exhaust System 6 & 8 Cylinder

GROUP 15 – EXHAUST SYSTEM – 15-5

Item	Part Number	Description	Qty
Figure 15-2 EXHAUST SYSTEM - 6 & 8 CYLINDER			
1	705479	Pipe Asm. - Exhaust (6 Cyl.)	1
2	702252	Gasket - Exhaust Pipe LH (8 Cyl.)	1
3	706594	Ext. - Exhaust Pipe Upper (8 Cyl.)	1
4	706548	Pipe - Exhaust LH (8 Cyl.)	1
5	702271	Flange - Exhaust Pipe (8 Cyl.)	1
6	705480	Pipe Asm. - Exhaust RH (8 Cyl.)	1
	707052	Clamp Asm. Rearward Steering	3
	707052	Clamp Asm. Forward Steering	2
7	708124	Clamp - Exhaust (Metric)	1
8	708123	"U" Bolt - Exhaust (Metric)	1
9	11501850	Nut - Metric Style (2 Flg. Hex M10 X 1.5)	1
10	626779	Nut (3/8-16 Hex Lock) 6 Cylinder	3
	626779	Nut (3/8-16 Hex Lock) 8 Cylinder	6
11	705291	Clamp Asm. (2")	2
12	705481	Tube Asm. - Exhaust Converter Inlet	1
13	705939	Converter Asm. - Exhaust	1
14	705929	Adapter Asm. - Exhaust Converter Support	1
15	181635	Bolt (3/8-24 X 3/4 Hex)	3
16	274643	Nut (3/8-24 Hex Lock)	3
17	ML-110	Sealer	1
18	706556	Ext. - Exhaust Pipe 120" WB	1
19	706557	Ext. - Exhaust Pipe 129" WB	1
20	705527	Muffler Asm	1
21	705290	Clamp Asm. (1 7/8")	1
22	94293	Bracket	1
23	94350	Insulator	3
24	94292	Spacer	3
25	123798	Bolt (5/16-24 X 1 3/4 Hex)	3
26	94354	Washer	3
27	120214	LW (5/16 Med. Spring)	3
28	120368	Nut (5/16-24 Hex)	3
29	94676	Bracket	1
30	706461	Tailpipe	1
31	705503	Bracket Asm. - Exhaust Cony	1
32	705588	Clamp Asm. Exhaust Pipe (8 Cyl.)	1
33	705999	Cony. Asm. - Exhaust Manifold	1
34	708121	Clamp - Exhaust (Metric)	1
35	708122	"U" Bolt - Exhaust (Metric)	1
36	705942	Tube Asm. - Exhaust W/U Cony, to Cony (Items 33-36, 6 Cyl. Forward Steering Only)	1