

GROUP 12 – TRANSMISSION – 12-1

Group 12

TRANSMISSION

Contents

Title	Section	Page
Transmission & Torque Converter Assembly Plus Case & Associated Parts	12-1	12-2
Oil Pump Assembly	12-2	12-4
Forward, Direct and Intermediate Clutches Plus Associated Parts, 6 & 8 Cylinder	12-3	12-6
Front and Rear Servo Accumulators	12-4	12-10
Parking Brake and Inside Detent Lever	12-5	12-12
Valve Body Assembly - Control	12-6	12-14
Service Kits, 6 & 8 Cylinder	12-7	12-15
Transmission & Torque Converter Installation	12-8	12-16
Shift Control Rod Installation, Forward & Rearward Steering	12-9	12-18
Speedometer Cable and Meter Drive Adapter Installation	12-10	12-20
Vacuum Modulator Installation, 6 Cylinder	12-11	12-22
Vacuum Modulator Installation, 8 Cylinder	12-12	12-22
Oil Cooler Lines Plus Associated Parts, 6 Cylinder	12-13	12-24
Oil Cooler Lines Plus Associated Parts, 8 Cylinder	12-14	12-24
Auxiliary Transmission Oil Cooler	12-15	12-26

GROUP 12 – TRANSMISSION – 12-2

A	A	A	A
11	11	12	12
E	E		E

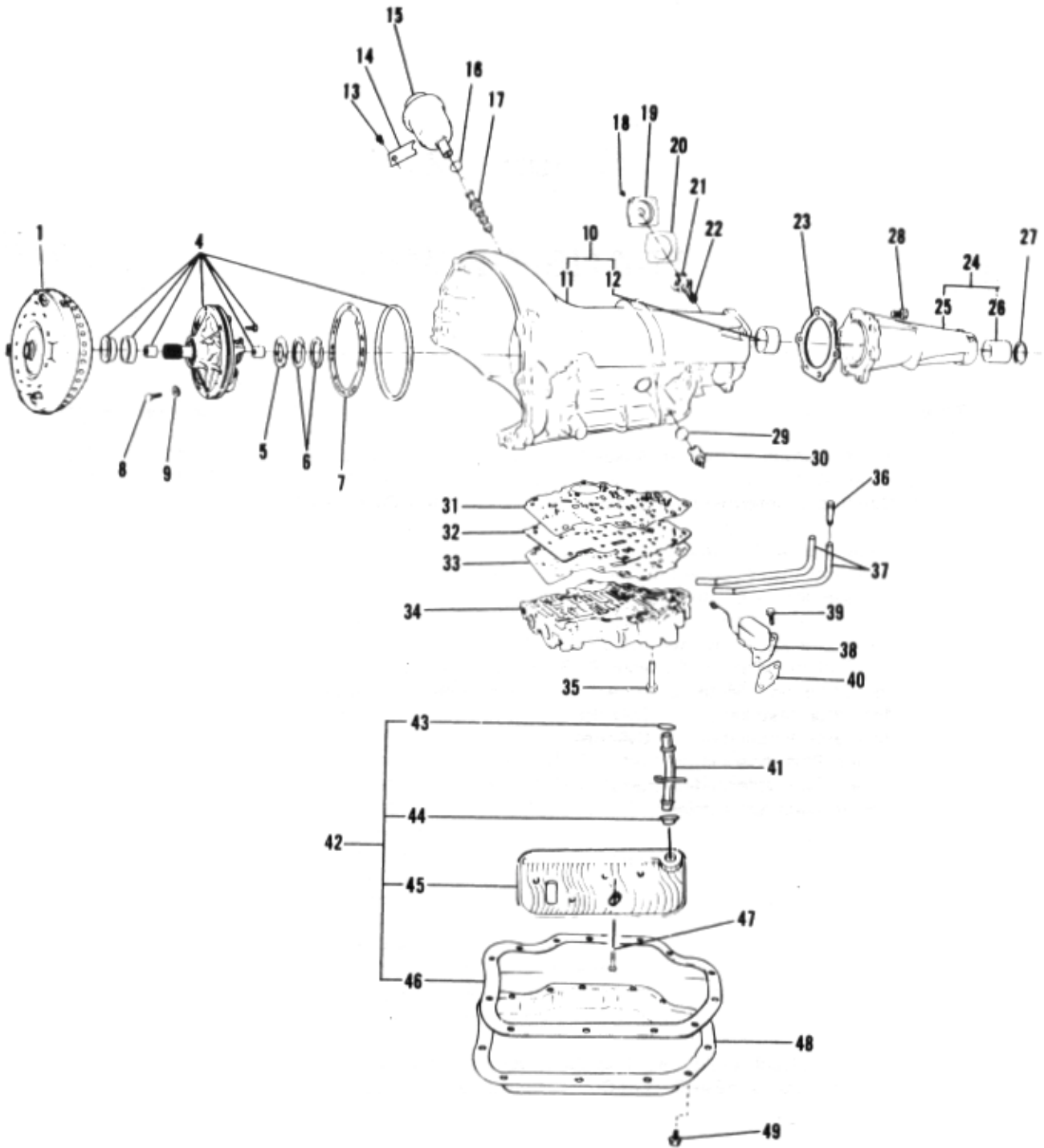


Figure 12-1 Transmission & Torque Converter Assembly Plus Case & Associated Parts

GROUP 12 – TRANSMISSION – 12-3

Item	Part Number	Description	Qty
Figure 12-1 TRANSMISSION & TORQUE CONVERTER ASSEMBLY PLUS CASE & ASSOCIATED PARTS (* Parts Also Furnished in Kits)			
	707003	Transmission & Torque Converter Asm. - 6 Cylinder - NA	1
	707004	Transmission & Torque Converter Asm. - 8 Cylinder - NB	1
1	011500	Torque Converter Asm	1
2	011702	Transmission Asm. - 6 Cyl. - NA	1
3	011703	Transmission Asm. - 8 Cyl. - NB	1
4	NSS	Pump Asm. - Oil (Complete)	1
		(See Figure 12-2)	
5	011524	Washer (.060 - .064)	1
	011525	Washer (.071 - .075)	1
	011526	Washer (.082 - .086)	1
	011527	Washer (.093 - .097)	1
	011528	Washer (.104 - .108)	1
	011529	Washer (.115 - .119)	1
	011530	Washer (.126 - .130)	1
		Note: Select 1 of The Above Washers for .003-024 Front Unit End Play.	
6	011522	Ring - Pump Cover Seal*	2
7	011521	Gasket - Pump Cover to Case*	1
8	011519	Bolt - Oil Pump Mounting (5/16-18 X 1.406 Hex)	6
9	011520	Washer - Oil Pump Mounting	6
10	011695	Case Asm. - Complete	1
11	NSS	Case & Bushing Asm	1
12	011502	Bushing - Transmission Case	1
	011690	Screw - Name Plate (#2 Metal Driven)	1
	011691	Name Plate - Transmission Identification	1
	011503	Plug - Intermediate Clutch Cup (.25 Dia.)	1
	444612	Plug - Hex Hd. (1/8 Pipe)	1
	011704	Connector (5/16) Inverted Flare Tube - Steel	2
	011639	Tube - Transmission Vent	1
13	115658	Bolt (5/16-18 X .56 Hex)	1
14	011637	Retainer - Modulator	1
15	011667	Modulator Asm	1
16	011636	Seal – Modulator*	1
17	011635	Valve – Modulator*	1
18	115658	Bolt (5/16-18 X .56 Hex) Governor Cover Mounting	4
19	011624	Cover - Governor	1
20	011625	Gasket - Governor Cover*	1
21	011685	Governor Asm. - 6 Cyl. - NA	1
	011696	Governor Asm. - 8 Cyl. - NB	1
22	NSS	Sleeve & Gear Asm	1
	011622	Gear - Governor Driven With Pin	1
	273337	Pin - Governor Gear	1
	011623	Pin - Governor Weight	2
23	011620	Gasket - Extension to Transmission Case*	1
24	011617	Extension Case Asm	1
25	NSS	Case - Extension	1
26	011618	Bushing - Case (1 ")	1
27	011619	Seal - Extension Case*	1
28	179839	Bolt (3/8-16 X 1 Hex)	6
29	011636	Seal - Electrical Connector "O" Ring*	1
30	011638	Connector - Electrical	1
31	011642	Gasket - Case to Spacer Plate*	1
32	011641	Plate - Valve Body Spacer	1
33	011640	Gasket - Valve Body to Spacer Plate*	1
	147485	Check Ball (.25 Dia.)	6

Checker Motors Corp.

GROUP 12 – TRANSMISSION – 12-4

A	A	A	A
11	11	12	12
	E		E

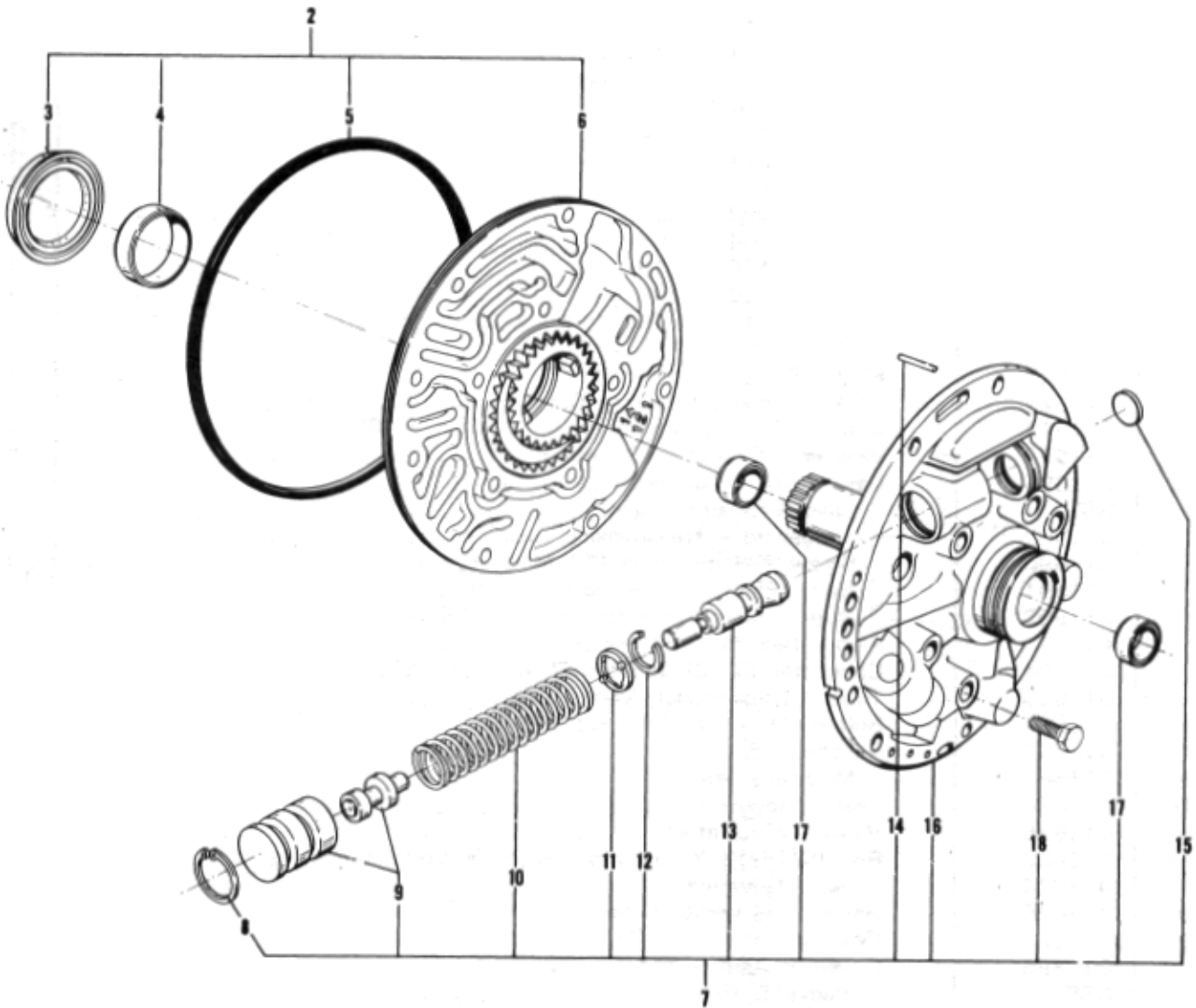


Figure 12-2 Oil Pump Assembly

Checker Motors Corp.

GROUP 12 – TRANSMISSION – 12-5

Item	Part Number	Description	Qty
Figure 12-1 TRANSMISSION & TORQUE CONVERTER ASSEMBLY PLUS CASE & ASSOCIATED PARTS Cont'd)			
34	011686	Valve Body Asm. - 6 Cyl. - NA	1
	011709	Valve Body Asm. - 8 Cyl. - NB (See Page 12-6)	1
35	179802	Bolt - Valve Body Mounting (1/4-20 X 1.625 Hex Hd.)	3
	108597	Bolt - Valve Body Mounting (5/16-18 X 1.875 Hex Hd.)	8
36	011662	Screen Asm. - Governor	1
37	011660	Pipe - Governor	2
38	010370	Solenoid Asm. - Kick Down	1
39	180020	Bolt - Solenoid Asm. Mounting (1/4-20 X 3/4)	2
40	011659	Gasket - Solenoid Mounting*	1
41	011671	Tube - Oil Filter Intake	1
42	05905	Kit - Oil Filter Asm	1
		(Consists of Code: #43, 44, 45 & 46)	
43	011661	Seal - Intake Tube "O" Ring*	1
44	011689	Grommet - Oil Filter Asm.*	1
45	NSS	Oil Filter Asm.*	1
46	011664	Gasket - Transmission Oil Pan*	1
47	011663	Bolt - Oil Filter Mounting (Special Shoulder)	1
48	011665	Pan - Transmission Oil	1
49	09402	Screw - Oil Pan Mounting (Special Hex Wa. Hd.)	13
Figure 12-2 OIL PUMP ASSEMBLY (* Parts Also Furnished in Kits)			
	011702	Transmission Asm. - 6 Cyl. - NA	1
	011703	Transmission Asm. - 8 Cyl. - NB	1
	NSS	Oil Pump Asm. - Complete	1
2	011506	Body Asm	1
3	011513	Seal – Body*	1
4	011507	Bushing - Body	1
5	011672	Seal Ring - Body to Case*	1
6	NSS	Body - Oil Pump	1
	NSS	Gear - Pump Drive	1
	NSS	Gear - Pump Driven	1
7	011509	Cover Asm. - Oil Pump	1
8	274613	Ring Retainer (Type TA Int.)	1
9	011508	Bushing & Valve Unit	1
10	011514	Spring - Pressure Regulator	1
11	011518	Washer - Spring Retainer	1
12	011515	Spacer - Pressure Regulator Spring (1 or 2)	A/R
13	011516	Valve - Regulator	1
14	011511	Pin - Straight (.13 Dia. X 1.33)	1
15	011512	Plug - Valve Bore (.69 OD)	1
16	NSS	Cover (Only)	1
17	011510	Bushing - Stator Shaft	2
18	179818	Bolt - Pump Cover to Body (5/16-18 X 1")	2
	179822	Bolt - Pump Cover to Body (5/16-18 X 1.50)	2
	179824	Bolt - Pump Cover to Body (5/16-18 X 1.75)	1

GROUP 12 – TRANSMISSION – 12-6

A	A	A	A
11	11	12	12
E	E		E

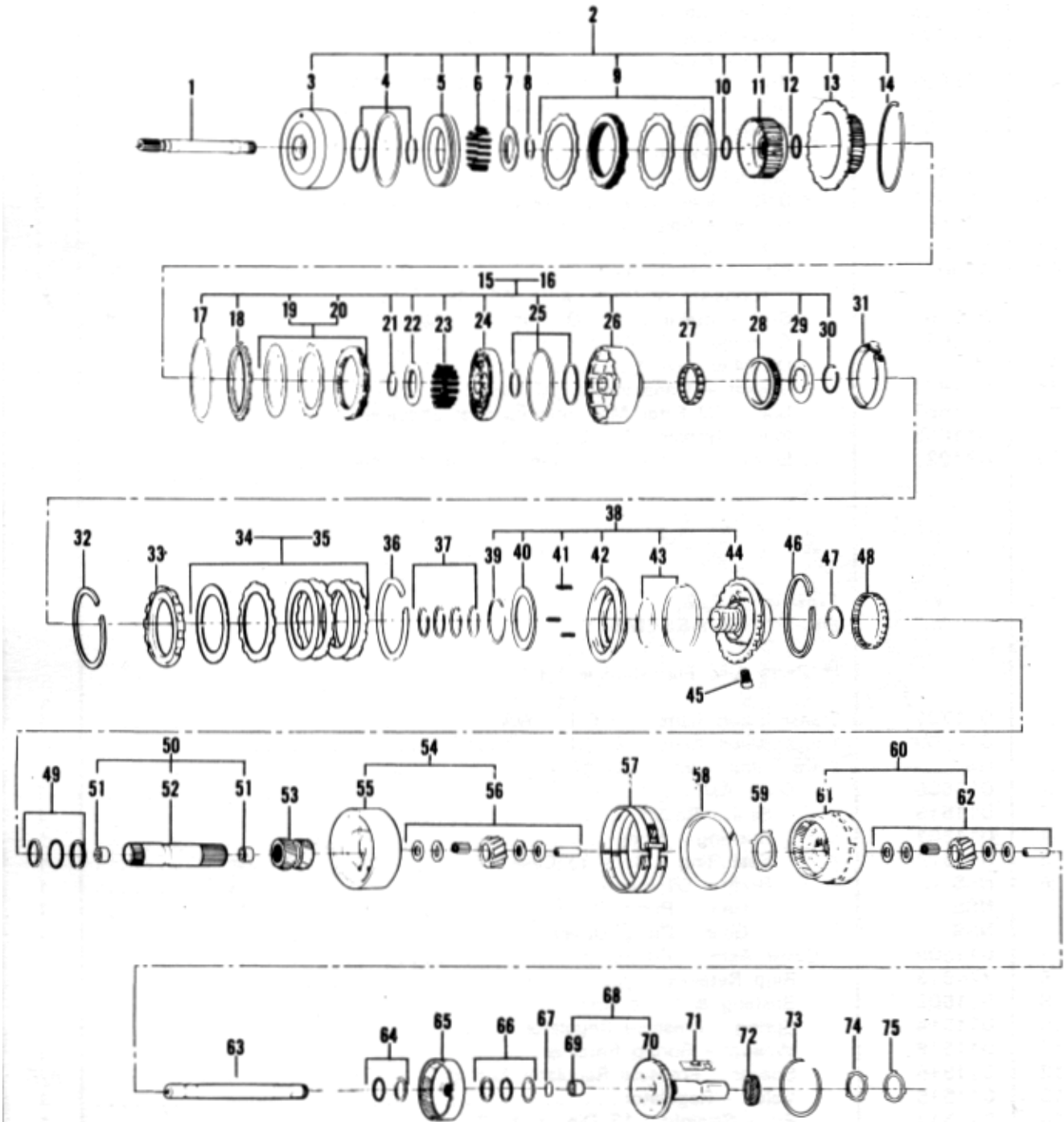


Figure 12-3 Forward, Direct and Intermediate Clutches Plus Associated Parts, 6 & 8 Cylinder

GROUP 12 – TRANSMISSION – 12-7

Item	Part Number	Description	Qty
Figure 12-3 FORWARD, DIRECT AND INTERMEDIATE CLUTCHES PLUS ASSOCIATED PARTS, 6 & 8 CYLINDER (* Parts Also Furnished in Kits)			
	011702	Transmission Asm. - 6 Cyl. - NA	1
	011703	Transmission Asm. - 8 Cyl. - NB	1
1	011523	Shaft - Turbine	1
2	NSS	Clutch Asm. - Forward	1
3	011531	Housing Asm. - Forward Clutch With Washer (#10)	1
4	011701	Seal Unit - Forward Clutch Piston*	1
5	011532	Piston - Forward Clutch	1
6	011533	Spring - Forward Piston Release	16
7	011535	Retainer - Release Spring	1
8	011536	Ring – Snap*	1
9	011673	Kit - Forward Clutch Plates	1
	011540	Plate - Waved (.0605)	1
	011539	Plate - Flat (.0775)	4
	011705	Plate - Flat Non Grooved*	5
10	011537	Washer - Clutch Hub Hsg. Thrust	1
11	011538	Hub - Forward Clutch	1
12	011544	Washer - Forward Clutch Hub to Direct Clutch Housing	1
13	011542	Hub - Direct Clutch Drive	1
14	011543	Ring - Snap (6.24 OD X .062)	1
15	NSS	Clutch Asm. - Direct - 6 Cyl. - NA	1
16	NSS	Clutch Asm. - Direct - 8 Cyl. - NB	1
17	011543	Ring - Snap (6.24 OD X .063)	1
18	011553	Plate - Direct Clutch Backing	1
19	011674	Kit - Direct Clutch Plates 6 Cyl. Only - NA	1
	011552	Plate - Flat (.0915)	5
	011705	Plate - Flat Non Grooved'	5
20	011675	Kit - Direct Clutch Plates - 8 Cyl. Only - NB	1
	011552	Plate - Flat (.0915)	4
	011540	Plate - Waved (.0605)	1
	011705	Plate - Flat Non Grooved*	5
21	011536	Ring – Snap*	1
22	011535	Retainer - Release Spring	1
23	011551	Spring - Direct Piston Release	14
24	011550	Piston Asm. - Direct Clutch	1
25	011534	Seal Unit Direct Clutch Piston*	1
26	011545	Housing & Cam - Direct Clutch	1
27	011546	Roller Asm. - Intermediate Clutch - Outer	1
28	011547	Race - Intermediate Clutch - Outer	1
29	011548	Retainer - Intermediate Clutch	1
30	011549	Ring – Snap*	1
31	011706	Band Asm. - Front	1
32	011565	Ring - Snap	1
33	011564	Plate - Inter. Clutch Backing	1
34	011676	Kit - Inter. Clutch Plates - 6 Cyl. - NA	1
	011561	Plate - Flat (.099)	3
	011563	Plate – Waved*	3
35	011677	Kit Inter. Clutch Plates - 8 Cyl. - NB	1
	011561	Plate - Flat (.099)	2
	011562	Plate - Waved (.0685)	1
	011563	Plate – Waved*	3
36	011678	Ring - Center Support Case Snap	1
37	011522	Ring - Center Support Oil Seal	4

GROUP 12 – TRANSMISSION – 12-8

A	A	A	A
11	11	12	12
E	E	E	E

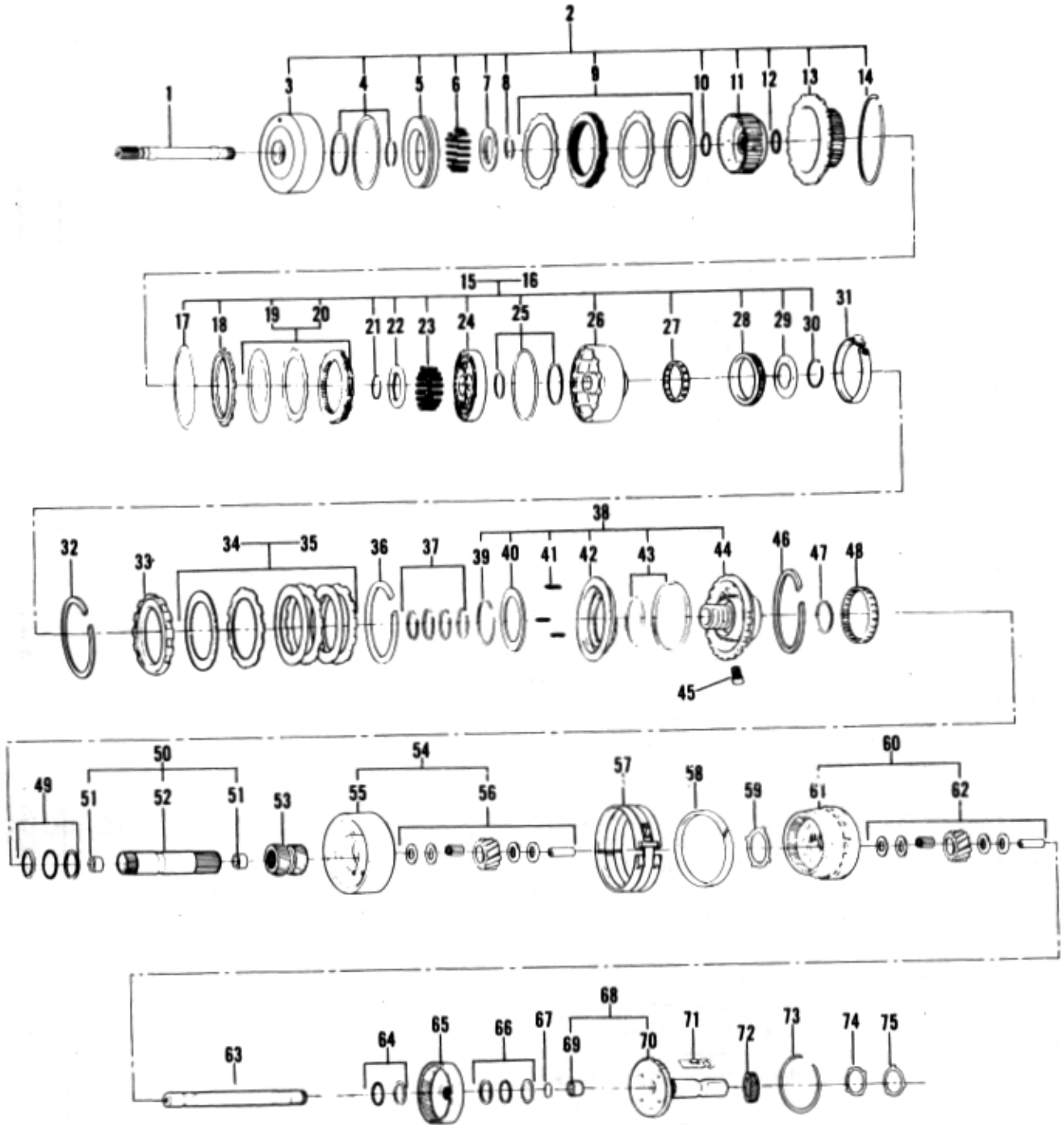


Figure 12-3 Forward, Direct and Intermediate Clutches Plus Associated Parts, 6 & 8 Cylinder

GROUP 12 – TRANSMISSION – 12-9

Item	Part Number	Description	Qty
Figure 12-3 FORWARD, DIRECT AND INTERMEDIATE CLUTCHES PLUS ASSOCIATED PARTS, 6 & 8 CYLINDER (Cont'd)			
38	NSS	Center Support Asm	1
39	011573	Ring - Snap'	1
40	011572	Retainer - Inter. Clutch Spr	1
41	011571	Spring - Inter. Clutch	3
	011693	Guide - Inter. Clutch Spring	1
42	011568	Piston - Inter. Clutch	1
43	011569	Seal Unit - Inter. Clutch'	1
44	011566	Center Support W/Race & Plug	1
	011567	Bushing (1.536 Dia. X 3.52)	1
45	011598	Bolt - Case to Center Support	1
46	011597	Spacer - Support to Case	1
47	011574	Washer - Support to Reaction Drum Thrust	1
48	011575	Roller Asm. - Low Clutch	1
	011692	Package - Low Clutch Rollers	1
49	011576	Bearing Unit - Needle W/Race Center Support to Sun Gear	1
50	011688	Shaft Asm. - Sun Gear	1
51	011510	Bushing - Sun Gear Shaft (1.12 OD X .50)	2
52	NSS	Shaft - Sun Gear	1
53	011577	Gear - Sun	1
54	011578	Carrier Asm. - Reaction	1
55	NSS	Carrier - Reaction	1
56	011579	Pinion Unit - Reaction Carrier	1
		(Includes Pinion, Pin, Thrust Washers & Bearing)	
		Note: Pinion Unit Contains 4 Pinion Replacement Asms.	
	011687	Ring - Reaction Drum Spacer	1
57	011601	Band Asm. - Rear	1
58	011581	Ring - Front Internal Gear	1
59	011580	Washer - Front Internal Reaction Carrier (3 9/32 OD)	1
60	011582	Carrier Asm. - Output	1
61	NSS	Carrier - Output	1
62	011579	Pinion Unit - Output Carrier	1
		(Includes Pinion, Pin, Thrust Washers & Bearing)	
		Note: Pinion Unit Contains 4 Pinion Replacement Asms.	
63	011585	Shaft - Transmission Main	1
64	011583	Bearing Unit - Needle W/Race Sun Gear to Rear Int. Gear	1
65	011584	Gear - Rear Internal	1
66	011587	Bearing Unit - W/Race Internal Gear Rear	1
67	011586	Ring - Int. Gear Main Shaft'	1
68	011588	Shaft & Bushing Asm. - Output	1
69	011589	Bushing - Output Shaft	1
70	NSS	Shaft - Output	1
71	011600	Clip - Speedometer Drive Gear	1
72	011707	Gear - Speedometer Drive (1 8T)	1
73	011590	Ring - Output Shaft Snap	1
74	011580	Washer - Output Shaft (3 9/32 OD)	1
75	011591	Washer - Output/Case (.074-.078)	1
	011592	Washer - Output/Case (.082-.086)	1
	011593	Washer - Output/Case (.090-.094)	1
	011594	Washer - Output/Case (.098-. 102)	1
	011595	Washer - Output/Case (.106-.110)	1
	011596	Washer - Output/Case (.1 14-. 118)	1
		Note: Select 1 Output/Case Washer for .005-.025 End Play.	

GROUP 12 – TRANSMISSION – 12-10

A	A	A	A
11	11	12	12
	E		E

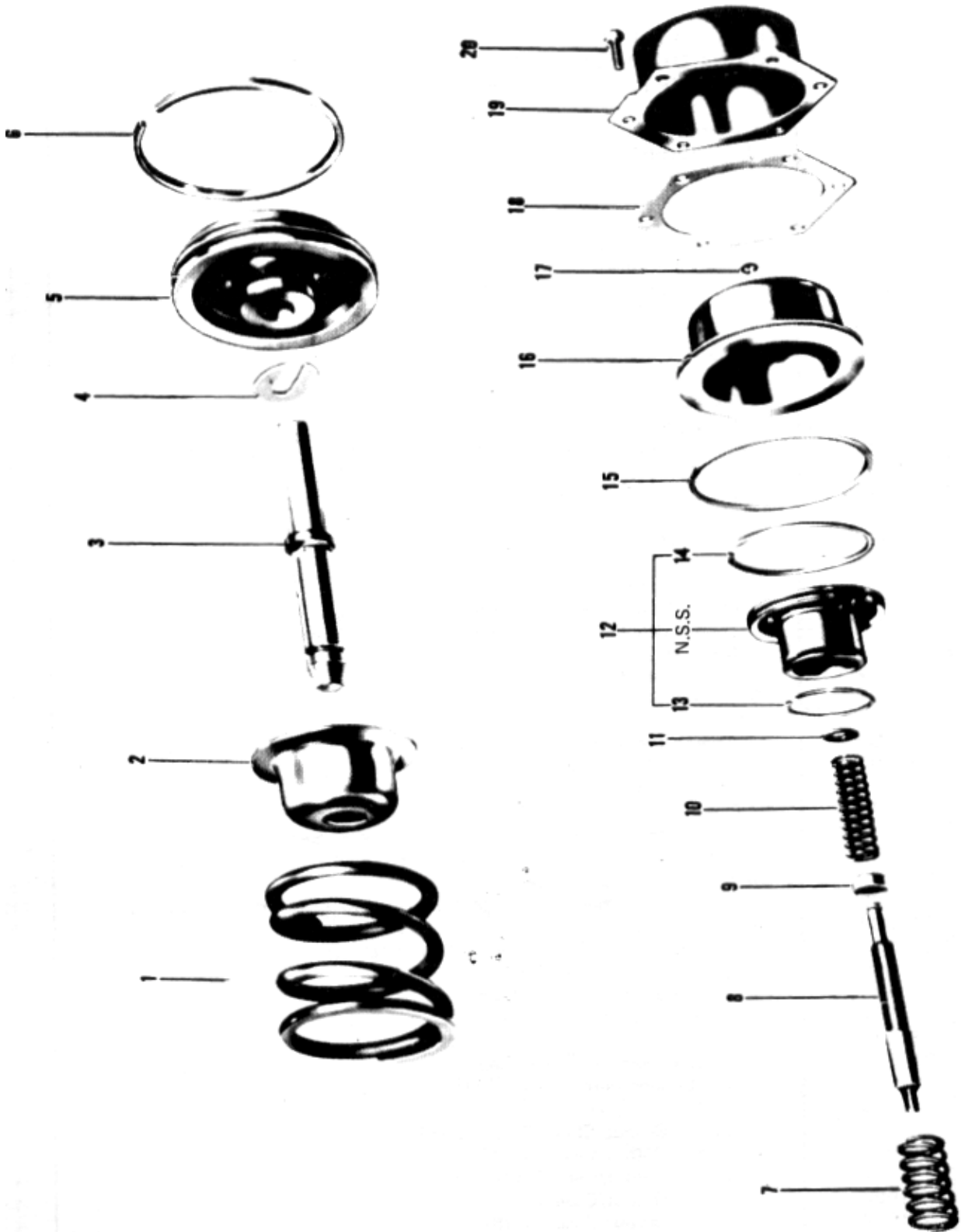


Figure 12-4 Front and Rear Servo Accumulators

GROUP 12 – TRANSMISSION – 12-11

Item	Part Number	Description	Qty
Figure 12-4 FRONT AND REAR SERVO ACCUMULATORS (* Parts Also Furnished in Kits)			
	011702	Transmission Asm.- 6 Cyl. - NA	1
	011703	Transmission Asm.- 8 Cyl. - NB	1
1	011558	Spring Front Servo Piston	1
2	011559	Retainer - Front Servo Spring	1
3	011556	Pin - Front Servo Piston	1
4	011560	Ring - Front Servo Spr. Ret	1
5	011555	Piston - Front Servo	1
6	011557	Ring - Piston Oil Seal*	1
7	011610	Spring - Rear Accumulator - 6 Cyl. - NA	1
	011611	Spring - Rear Accumulator - 8 Cyl. NB	1
8	011602	Pin - Rear Band Apply (1 Ring 3 5/16 01)	1
	011603	Pin - Rear Band Apply (2 Ring 3 3/8 01)	1
	011604	Pin - Rear Band Apply (3 Ring 3 7/16 01)	1
		Note: Select 1 Rear Band Pin Only.	
9	011608	Retainer - Rear Piston Ring	1
10	011609	Spring - Rear Servo	1
11	011607	Washer - Servo Piston	1
12	011612	Piston - Accumulator (W/Seal Rings)	1
13	011613	Ring - Piston Inner (1 3/8 OD)	1
14	011614	Ring - Piston Outer	1
15	011606	Seal - Reverse Servo Piston*	1
16	011605	Piston - Rear Servo	1
17	9413523	Ring - Snap - Servo Piston*	1
18	011615	Gasket - Rear Servo Cover*	1
19	011616	Cover - Rear Servo	1
20	179816	Bolt - Servo Cover (5/16-18 X 3/4)	6

GROUP 12 – TRANSMISSION – 12-12

A	A	A	A
11	11	12	12
E	E	E	E

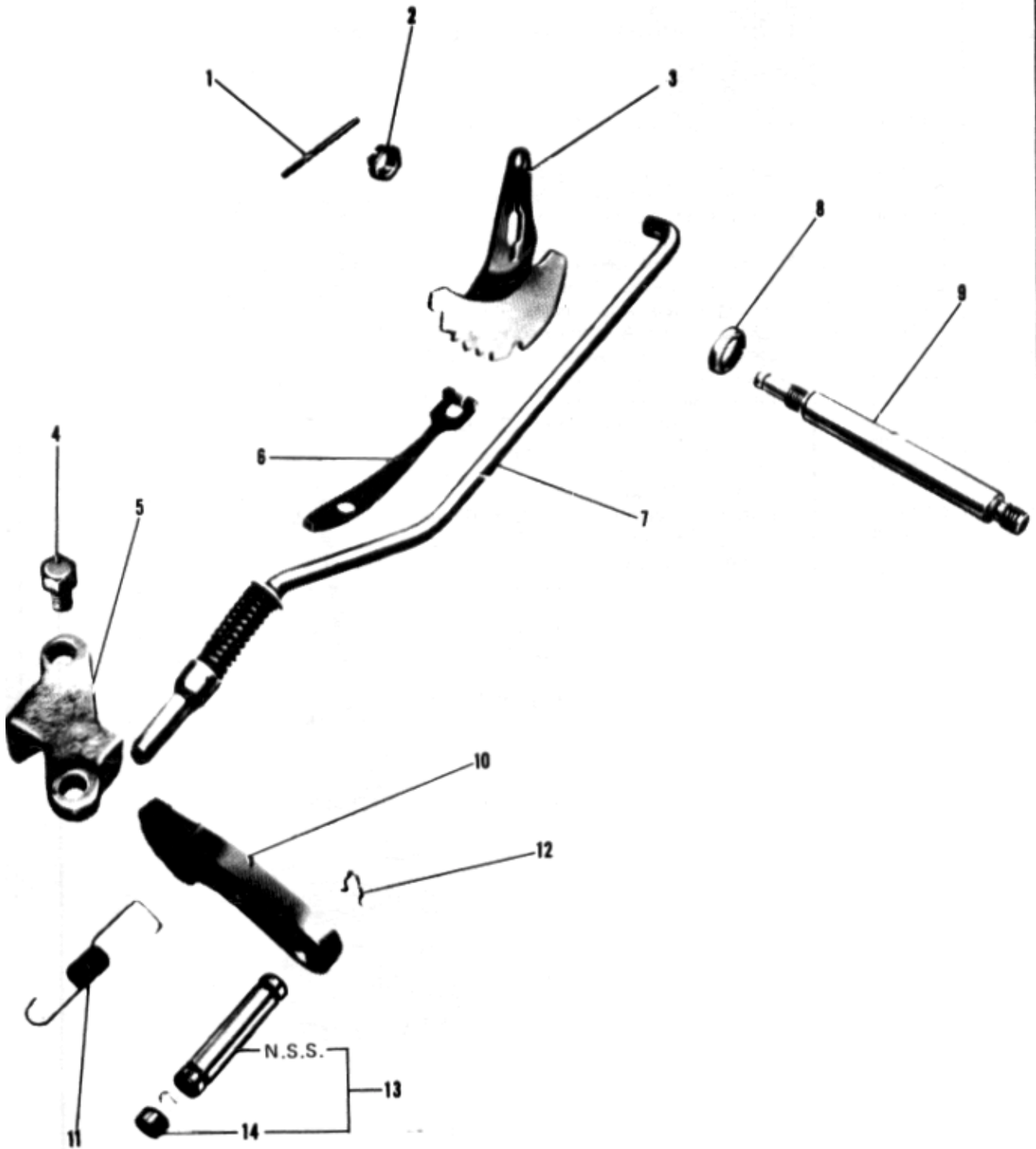


Figure 12-5 Parking Brake and Inside Detent Lever

GROUP 12 – TRANSMISSION – 12-13

Item	Part Number	Description	Qty
Figure 12-5 PARKING BRAKE AND INSIDE DETENT LEVER (* Parts Also Furnished in Kits)			
	011702	Transmission Asm. - 6 Cyl. - NA	1
	011703	Transmission Asm. - 8 Cyl. - NB	1
1	011623	Pin (.090 Dia. X 1.88)	1
2	117212	Nut (3/8-24 Hex)	1
3	011631	Lever & Pin Asm. - Inside Detent	1
4	179816	Bolt (5/16-18 X 3/4 Hex)	2
5	011630	Bracket - Parking Brake	1
6	011658	Roller & Spring - Manual Detent	1
7	011632	Actuator Asm. - Parking Brake	1
8	011633	Seal Asm. - Manual Shaft*	1
9	011694	Shaft - Manual - W/Nut	1
10	011626	Pawl - Parking Brake	1
11	011629	Spring - Parking Pawl Return	1
12	148148	Retainer Spring (Type A)	1
13	011627	Shaft Unit - Parking Pawl W/Plug	1
14	011628	Plug - Parking Shaft (.38 Dia.)*	1

GROUP 12 – TRANSMISSION – 12-14

A	A	A	A
11	11	12	12
E	E		E

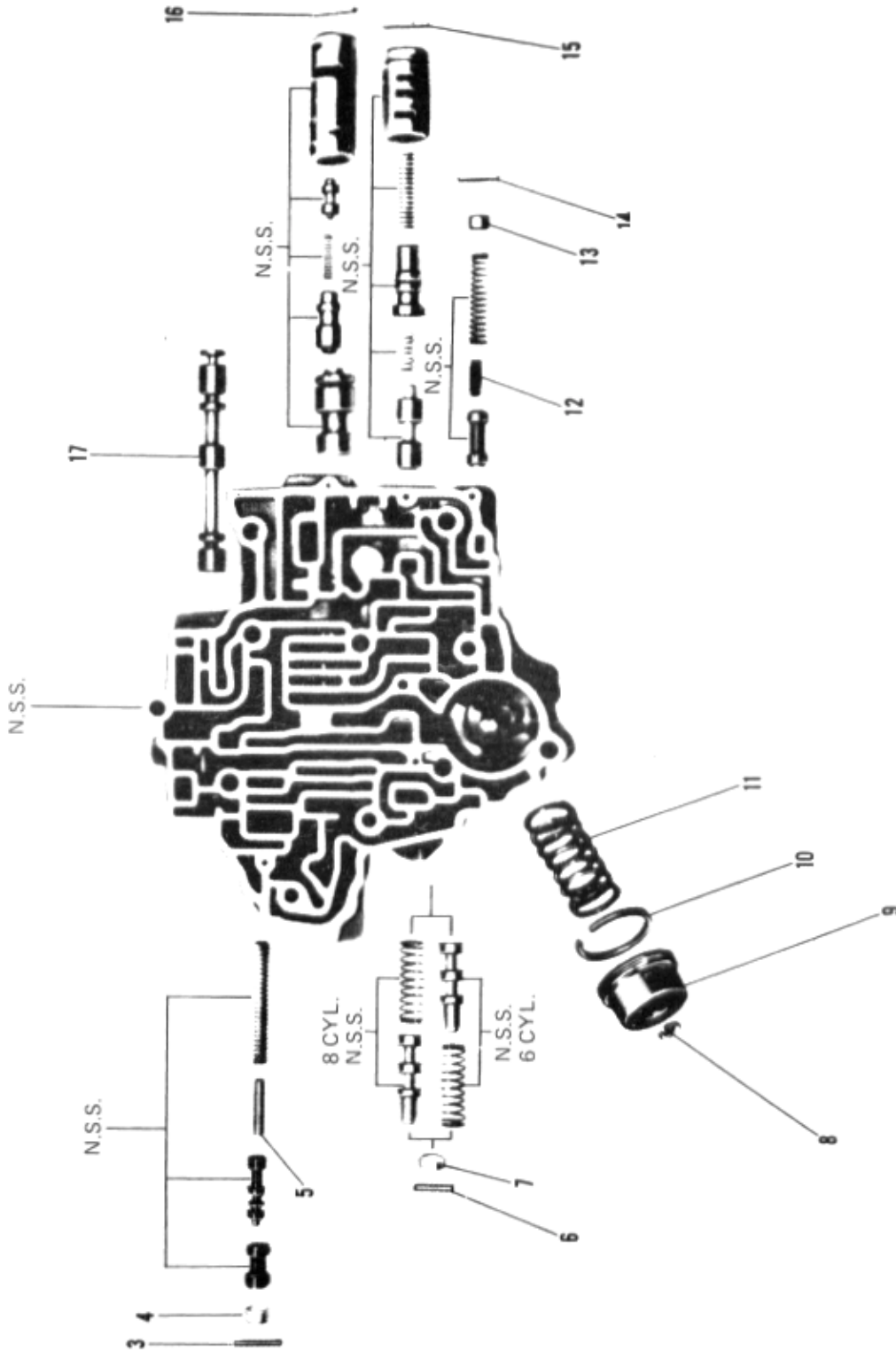


Figure 12-6 Valve Body Assembly Control

GROUP 12 – TRANSMISSION – 12-15

Item	Part Number	Description	Qty
		Figure 12-6 VALVE BODY ASSEMBLY – CONTROL (* Parts Also Furnished in Kits)	
	011702	Transmission Asm. - 6 Cyl. - NA	1
	011703	Transmission Asm. - 8 Cyl. - NB	1
1	011686	Valve Body Asm. - 6 Cyl. - NA	1
2	011709	Valve Body Asm. - 8 Cyl. - NB	1
3	011646	Pin - Coiled Spring	2
4	011652	Plug - Valve Bore (.500 OD)	1
5	011648	Pin - Detent Regulator Valve	1
6	011647	Pin - Grooved	1
7	011653	Plug - Valve Bore (.560 OD)	1
8	9412978	Ring - Retainer - Accum. Piston*	1
9	011650	Piston - Front Accumulator	1
10	011654	Ring - Oil Seal - Accumulator Piston (Cast Iron)	1
11	011656	Spring - Front Accumulator Piston - 6 Cyl. - NA	1
	011708	Spring - Front Accumulator Piston - 8 Cyl. - NB	1
12	011649	Pin - 3-2 Valve	1
13	011651	Plug - Valve Bore (.437 OD)	1
14	011645	Pin - Straight (.12 Dia. X 1.32)	1
15	011511	Pin - Straight (.13 Dia. X 1.33)	1
16	011646	Pin - Coiled Spring	2
17	011657	Valve - Manual	1
	444612	Plug - Hex Hd. (1/8") Pipe	1
		Section 12-7 SERVICE KITS, 6 & 8 CYLINDER	
	011700	Kit - Transmission Overhaul	1
		Consists of The Following:	
		Items 6 & 27, Section 12-1	
		Item 3, Section 12-2	
		Items 4, 25, 38 & 43, Section 12-3	
		Parts 011563 & 011705, Section 12-3	
		Item 6, Section 12-4	
		011517Kit - Gasket & Seal, Section 12-7	
		011666 Kit - Snap Ring, Section 12-7	
	011666	Kit - Snap Ring, Consists of Following:	
		Items 8, 21, 30 & 39, Section 12-3	
		Item 67, Section 12-3	
		Item 17, Section 12-4	
		Item 8, Section 12-6	
	011517	Kit - Gasket & Seal Consists of Following:	
		Items 7, 9, 16, 20, 23, 31, 33, 40, 43 & 46, Section 12-1	
		Item 5, Section 12-2	
		Items 15 & 18, Section 12-4	
		Items 8 & 14, Section 12-5	
		Item 12, Section 12-13	

GROUP 12 – TRANSMISSION – 12-16

A	A	A	A
11	11	12	12
E	E		E

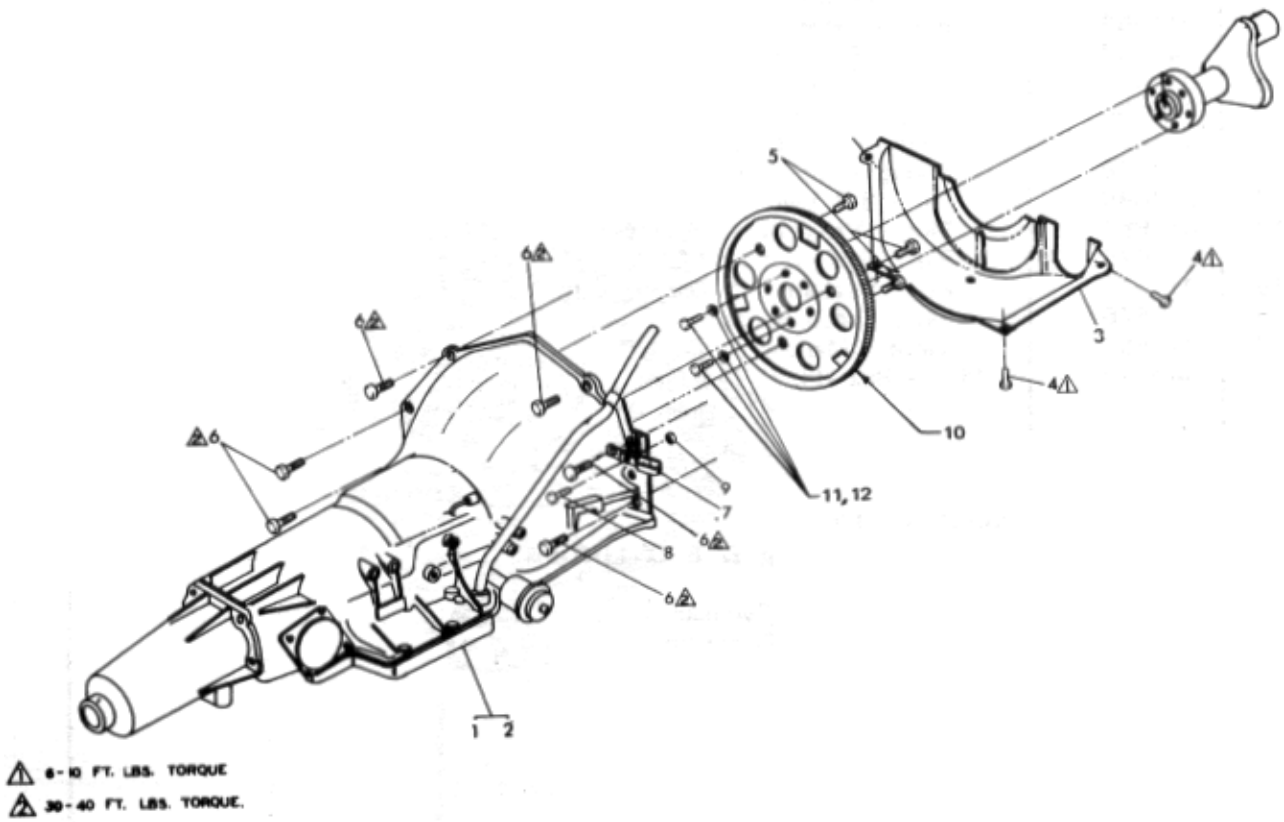


Figure 12-8 Transmission & Torque Converter Installation

GROUP 12 – TRANSMISSION – 12-17

Item	Part Number	Description	Qty
Figure 12-8 TRANSMISSION & TORQUE CONVERTER INSTALLATION			
1	011702	Transmission Asm. - 6 Cyl. - NA	1
2	011703	Transmission Asm. - 8 Cyl. - NB	1
3	706323	Underpan - Transmission Converter	1
4	9419727	Screw (1/4-14 X 5/8 Hex Wa. Hd. Tap.)	4
5	706326	Screw (3/8-16 X 19/32 Hex Wa. Hd.)	3
6	9429622	Bolt (3/8-16 X 1 3/8 Fl. Hex Hd.)	6
7	646664	Clip - A/C Hoses Coated (8 Cyl.)	1
8	120706	Bolt (1/4-20 X 1/2 Hex) (8 Cyl.)	1
9	271172	Nut & Lockwasher Asm. (1/4-20 Hex) (8 Cyl.)	1
10	09406	Flywheel Asm	1
11	136857	Lockwasher - Flywheel (7/16)	6
12	08021	Bolt - Flywheel Mounting (7/16-20 X .70)	6

GROUP 12 – TRANSMISSION – 12-18

A	A	A	A
11	11	12	12
	E		E

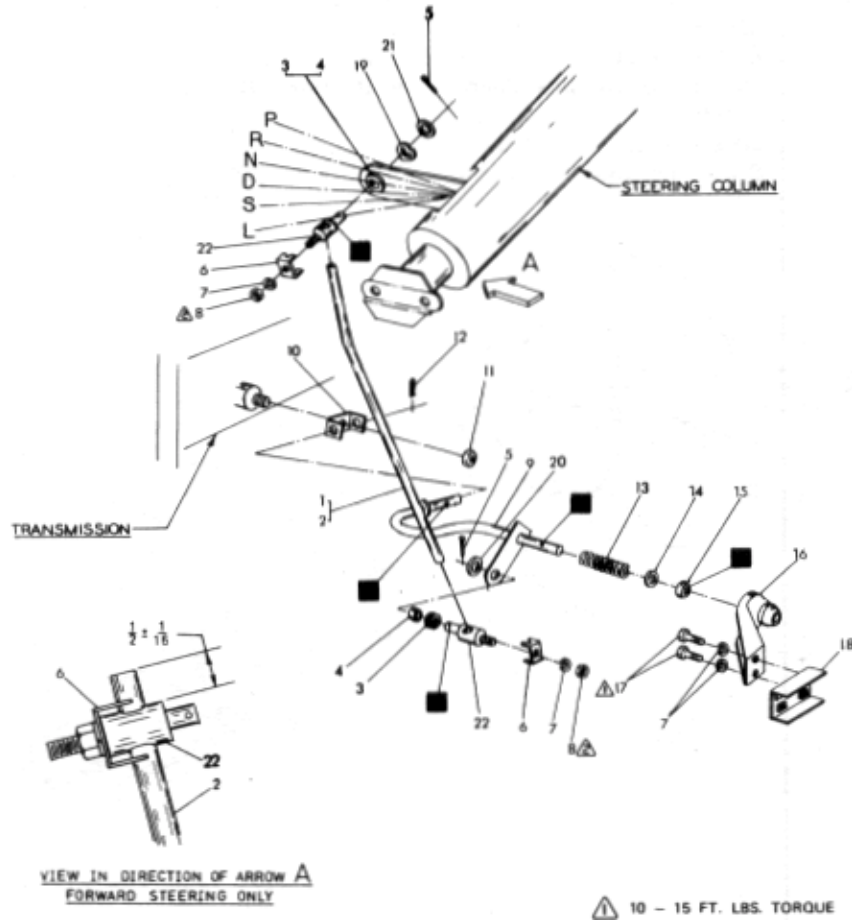


Figure 12-9 Shift Control Rod Installation, Forward & Rearward Steering

GROUP 12 – TRANSMISSION – 12-19

Item	Part Number	Description	Qty
Figure 12-9 SHIFT CONTROL ROD INSTALLATION, FORWARD & REARWARD STEERING			
1	708129	Tube - Shift Linkage	1
2	708135	Tube - Shift Linkage - Forward Steering Only	1
3	704128	Grommet	2
4	704129	Bushing	2
5	121222	Cotter Pin (3/32 X 3/4)	2
6	94559	Clamp - Rod	1
7	120214	Lockwasher (5/16 Med. Spring)	4
8	120368	Nut (5/16-24 Hex)	2
9	705184	Shaft Asm. - Transmission	1
10	706396	Lever - Selector Outer	1
11	11500424	Nut (M10 X 1.5 Thd. Metric Hex)	1
12	706032	Retainer - Range Selector	1
13	706022	Spring	1
14	706023	Washer	1
15	706024	Bushing	1
16	706144	Bracket	1
17	181595	Bolt (5/16-24 X 3/4 Hex)	2
18	705008	Bracket & Nut Asm. - Transmission Control - Frame	1
19	626356	Washer - Wave	1
20	94941	Washer - Nylon	1
21	120394	Washer (13/32 ID X 13/16 OD)	1
22	94558	Swivel	2

GROUP 12 – TRANSMISSION – 12-20

A	A	A	A
11	11	12	12
	E		E

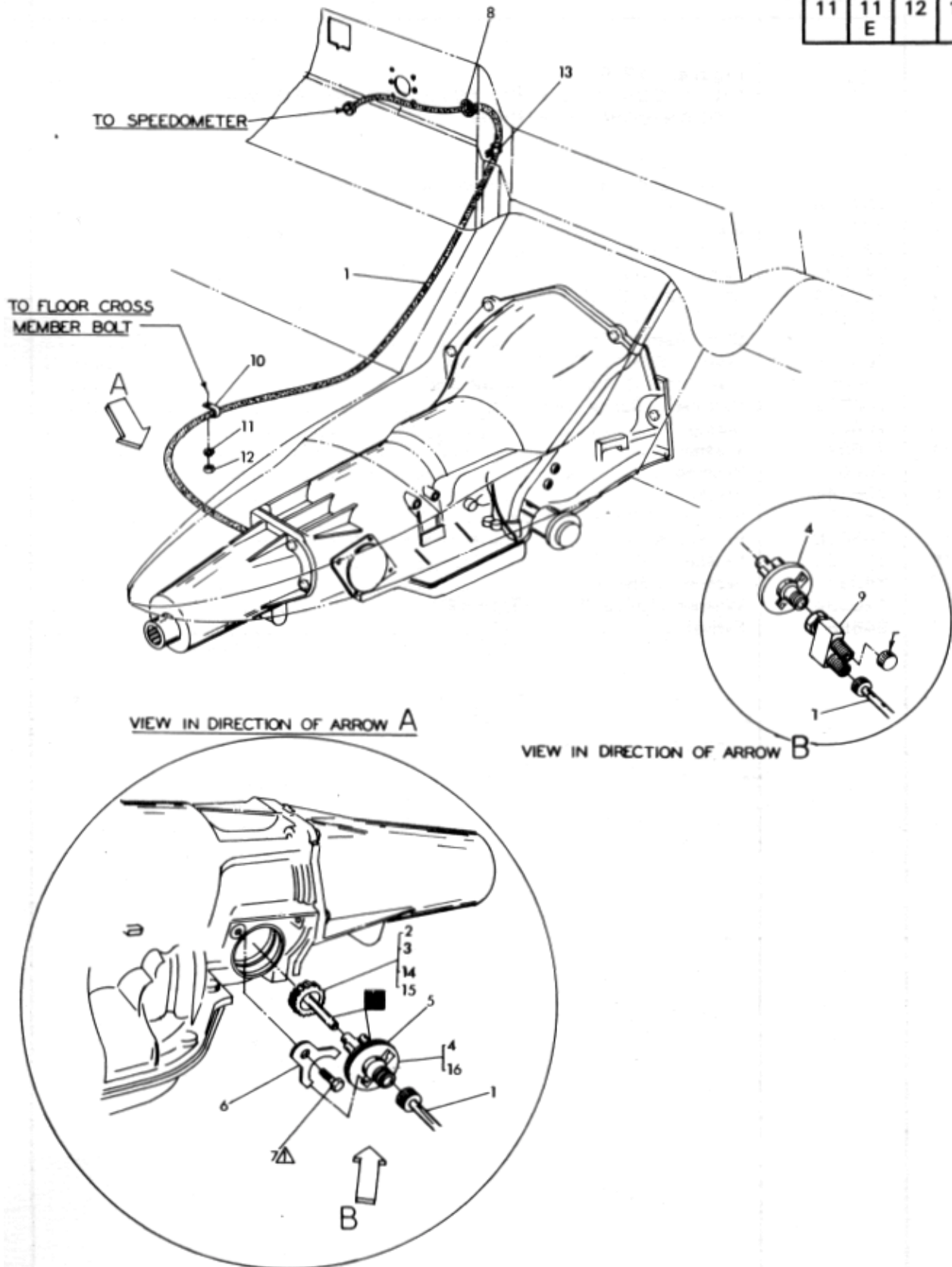


Figure 12-10 Speedometer Cable and Meter Drive Adapter Installation

GROUP 12 – TRANSMISSION – 12-21

Item	Part Number	Description	Qty
Figure 12-10 SPEEDOMETER CABLE AND METER DRIVE ADAPTER INSTALLATION			
1	705150	Cable Asm. - Speedometer	1
2	708065	Gear - Speedo Driven (40 T) Black (6 Cylinder)	1
3	706386	Gear - Speedo Driven (43 T) Purple (6 Cylinder)	1
4	705221	Sleeve & Seal Asm. Speedo Driven Gear (6 Cylinder)	1
5	706347	Seal "O" Ring	1
6	708022	Retainer - Speedo Sleeve	1
7	11502776	Screw Asm. (Metric Hex)	1
8	702361	Grommet	1
9	705284	Adapter Asm. - Dual Drive (A-li, A-i 1 E)	1
10	92869	Clip "J" Type	1
11	120380	Lockwasher (1/4 Med. Spring)	1
12	120375	Nut (1/4-20 Hex)	1
13	115270	Clip (5/16 Single)	1
14	708078	Gear - Speedo Driven (42 T) Green (6 Cylinder)	1
15	708128	Gear - Speedo Driven (36 T) White (8 Cylinder)	1
16	707015	Sleeve & Seal Asm. Speedo Driven Gear (8 Cylinder)	1

GROUP 12 – TRANSMISSION – 12-22

A		A	
11		12	

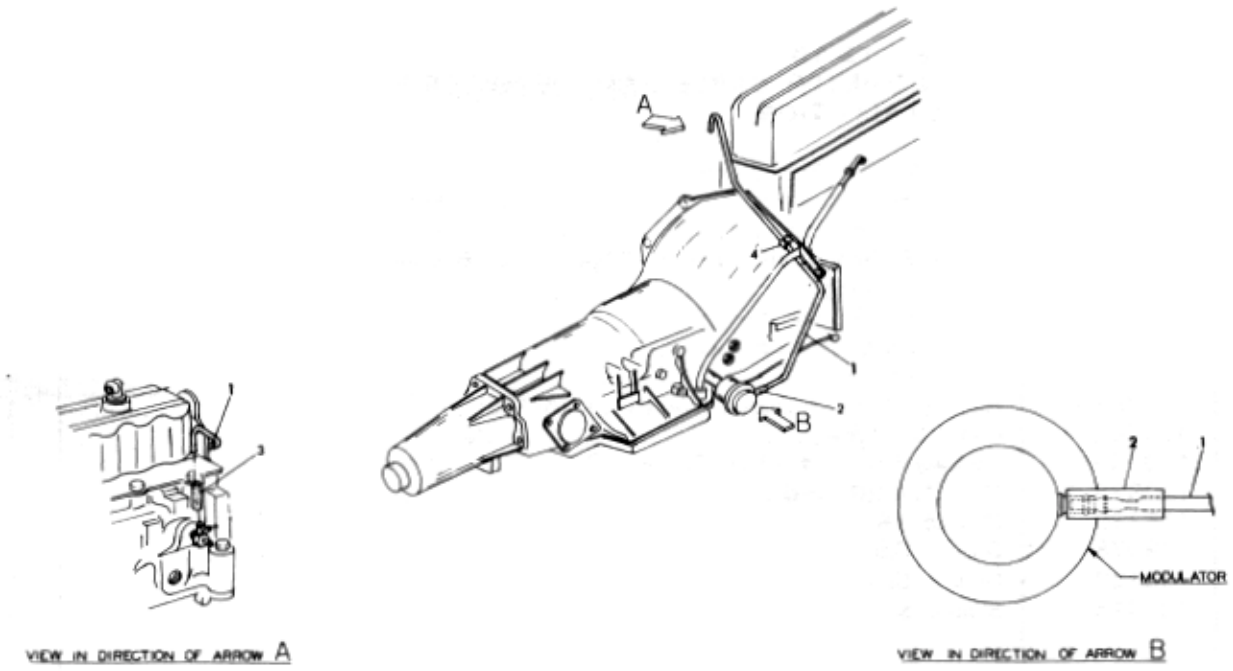


Figure 12-11 Vacuum Modulator Installation, 6 Cylinder

A	A	A	A
11	11	12	12
E	E	E	E

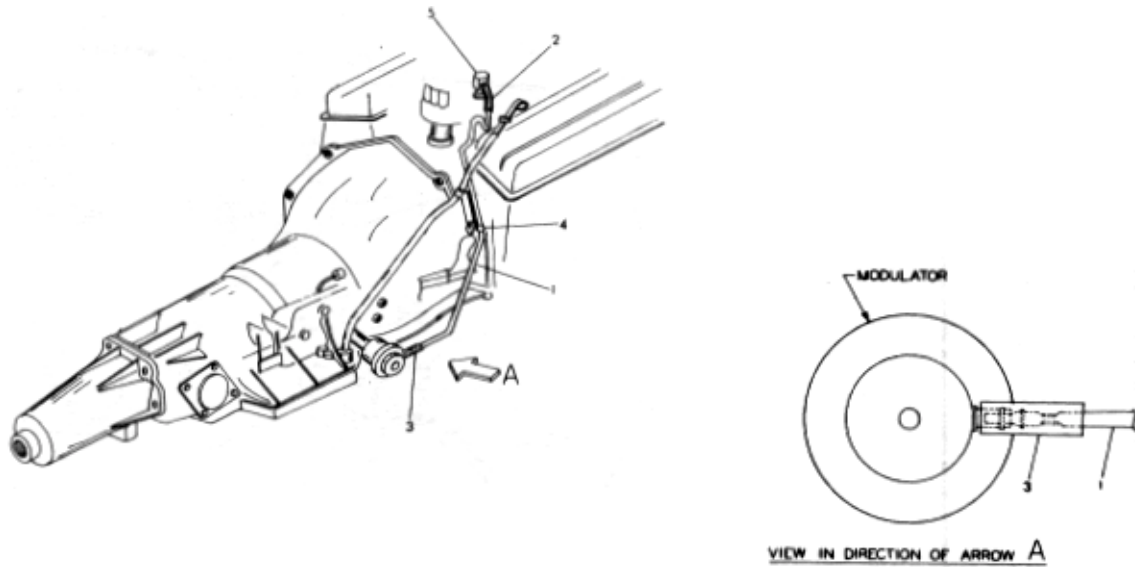


Figure 12-12 Vacuum Modulator Installation, 8 Cylinder

GROUP 12 – TRANSMISSION – 12-23

Item	Part Number	Description	Qty
Figure 12-11 VACUUM MODULATOR INSTALLATION. 6 CYLINDER			
1	706693	Tube -Vacuum Modulator	1
2	706390	Hose -Transmission Vacuum Control Tube	1
3	704694	Hose -Vacuum Modulator Tube	1
4	80352	Clip ("J" Type)	1
5	705853	Fitting	1
Figure 12-12 VACUUM MODULATOR INSTALLATION, 8 CYLINDER			
1	706088	Tube -Transmission Vacuum Control	1
2	704694	Hose -Transmission Vacuum Control Tube	1
3	706390	Hose -Transmission Vacuum Control Tube	1
4	80352	Clip ("J" Type)	1
5	704715	Fitting	1

GROUP 12 – TRANSMISSION – 12-24

A		A	
11		12	

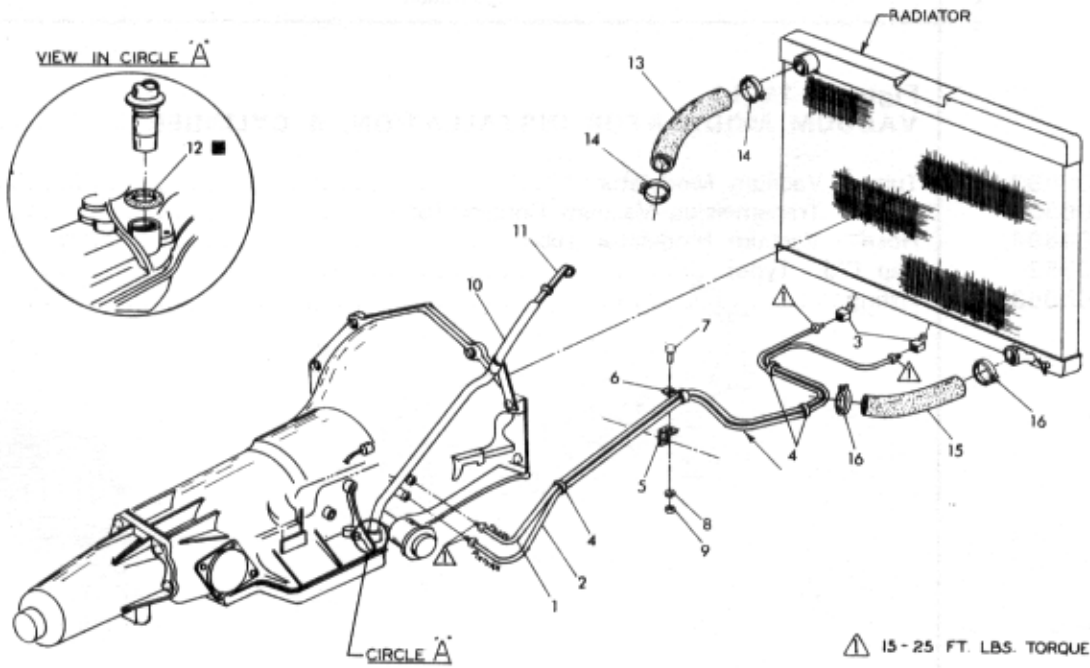


Figure 12-13 Oil Cooler Lines Plus Associated Parts, 6 Cylinder

A	A	A	A
11	11	12	12
	E		E

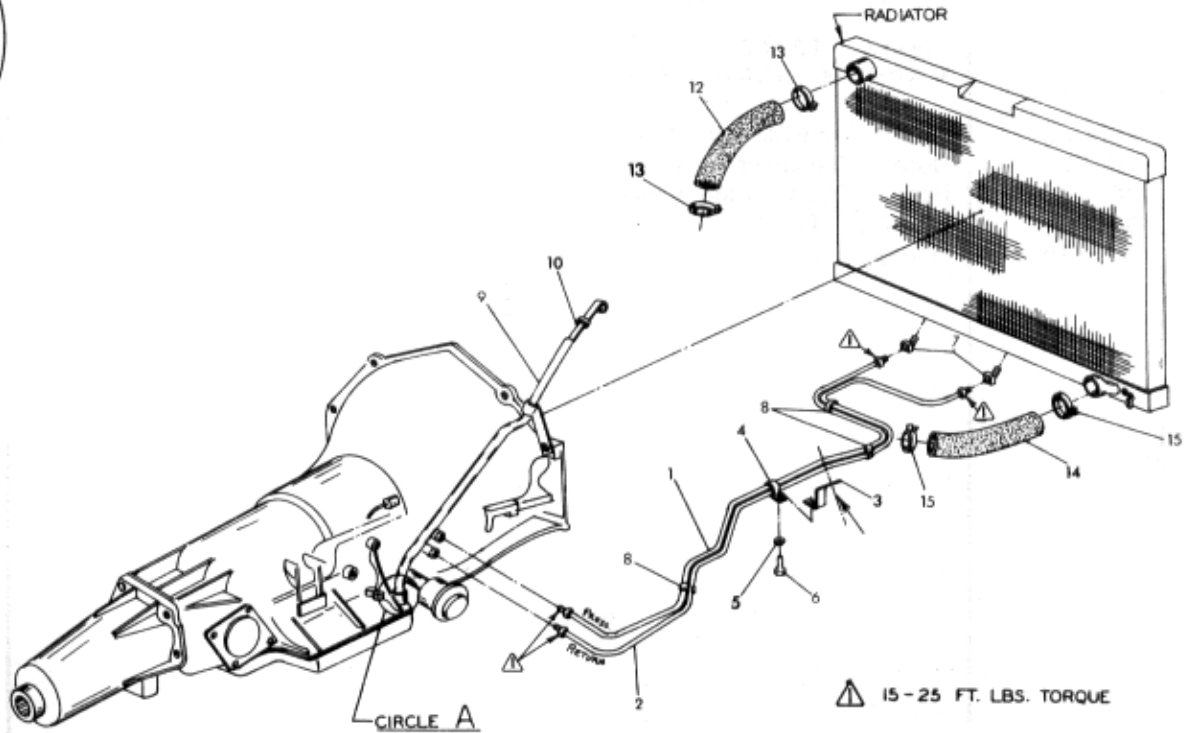
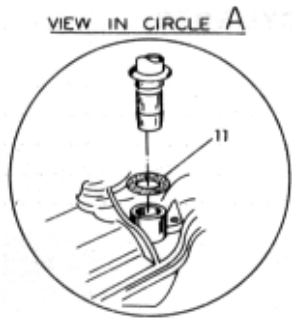


Figure 12-14 Oil Cooler Lines Plus Associated Parts, 8 Cylinder

GROUP 12 – TRANSMISSION – 12-25

Item	Part Number	Description	Qty
Figure 12-13 OIL COOLER LINES PLUS ASSOCIATED PARTS, 6 CYLINDER			
1	705554	Tube Asm. - Trans. to Cooler (Pressure)	1
2	705555	Tube Asm. - Trans. to Cooler (Return)	1
3	116341	Elbow - Inv. Fl. Tube (1/8 MPT)	2
4	708070	Tie - Nylon Cable	3
5	702610	Bracket - Tube Clip Mounting	1
6	702611	Clip (5/16 Dbl. Closed)	1
7	120706	Bolt (1/4-20 X 1/2 Hex)	1
8	120380	LW (1/4 Med. Spring)	1
9	120375	Nut (1/4-20 Hex)	1
10	705424	Tube Asm. Trans. Oil Filler	1
11	705413	Cap & Gage Asm. - Trans. Oil Filler	1
12	706348	Seal - Trans. Oil Filler Tube	1
13	706578	Hose - Rad. Inlet - Upper	1
14	443634	Clamp (1 7/8 Hose)	2
15	707017	Hose - Rad. Outlet	1
16	454373	Clamp (2 1/8 Hose)	2
Figure 12-14 OIL COOLER LINES PLUS ASSOCIATED PARTS, 8 CYLINDER			
1	705556	Tube Asm. - Trans. to Cooler (Pressure)	1
2	705557	Tube Asm. - Trans. to Cooler (Return)	1
3	701668	Bracket Asm. - Tube Clamp Mounting	1
4	702611	Clip (5/16 Dbl. Closed)	1
5	120380	LW (1/4 Med. Spring)	1
6	120706	Bolt (1/4-20 X 1/2 Hex)	1
7	116341	Elbow - Inv. Fl. Tube (1/8 MPT)	2
8	708070	Tie - Nylon Cable	3
9	705412	Tube Asm. - Trans. Oil Filler	1
10	705413	Cap & Gage Asm. - Trans. Oil Filler	1
11	706348	Seal - Trans. Oil Filler Tube	1
12	706598	Hose - Rad. Inlet	1
13	443634	Clamp (1 7/8 Hose)	2
14	706597	Hose - Rad. Outlet	1
15	454373	Clamp (2 1/8 Hose)	2

GROUP 12 – TRANSMISSION – 12-26

A	A	A	A
11	11	12	12
	E		E

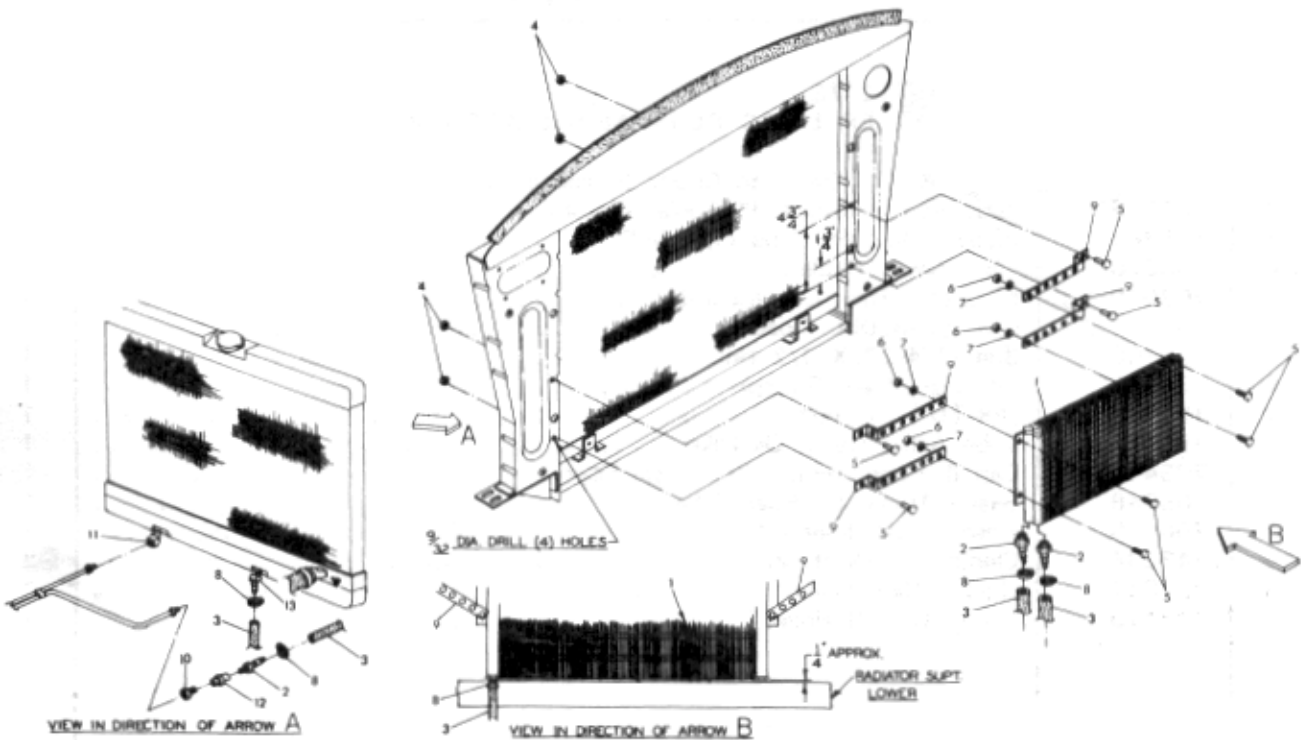


Figure 12-15 Auxiliary Transmission Oil Cooler

Item	Part Number	Description	Qty
Figure 12-15 AUXILIARY TRANSMISSION OIL COOLER			
1	705910	Cooler - Transmission Oil	1
2	626924	Connector (3/8 ID X 1/4 Pipe)	3
3	708059	Hose (3/8 ID X 10" Lg.)	2
4	271172	Nut & Ext. Tooth Lockwasher Asm.(1/4-20 Hex)	4
5	121887	Bolt (1/4-20 X 3/4 Hex)	8
6	120375	Nut (1/4-20 Hex)	4
7	120380	Lockwasher (1/4 Med. Spring)	4
8	701610	Clamp (7/8 to 25/32 Hose)	4
9	708034	Brace - Transmission Oil Cooler	1
10	9432264	Connector (5/16 Tube Inv. Flare X 1/4 MPT)	1
11	116341	Elbow (1/8 Tube Inv. Flare)	1
12	444096	Coupling (1/4-18 Auto. Pipe)	1
13	626937	Elbow (45° X 1/8 MPT X 3/8 ID)	1