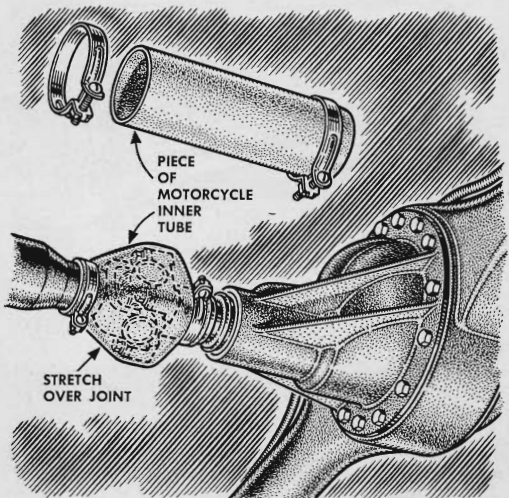




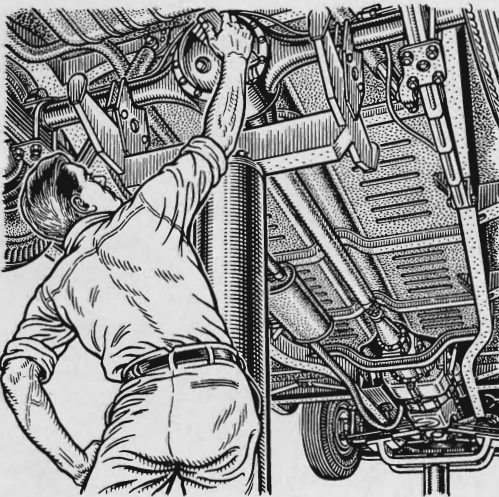
Hints FROM THE MODEL GARAGE



Clean headlights are as important as a clean windshield when driving at night. Even though yours may look clean, tests have proven that a single day's accumulation of dirt on headlight lenses can reduce their effectiveness by as much as half.



Universal joints will stay free of dirt and mud with these protective covers. Cut pieces about 10" long from a small-size inner tube and have your garageman slip them on the next time you have the bearings packed. Close the tube ends with hose clamps.

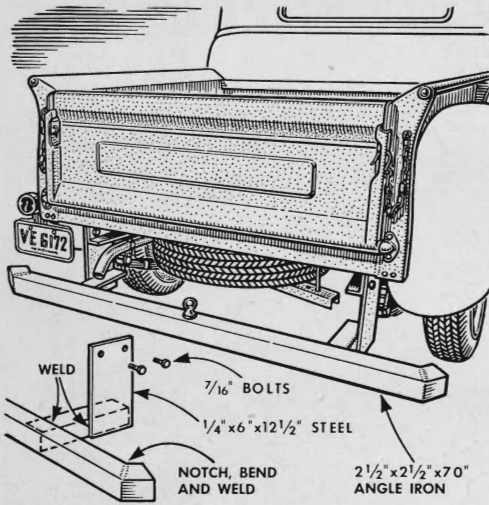


Running gear will run cooler if steam-cleaned or brushed with solvent once a year. A coating of grease and dirt on the rear axle, transmission and oil pan keeps the heat in, thinning out the lubricants and reducing their efficiency considerably.

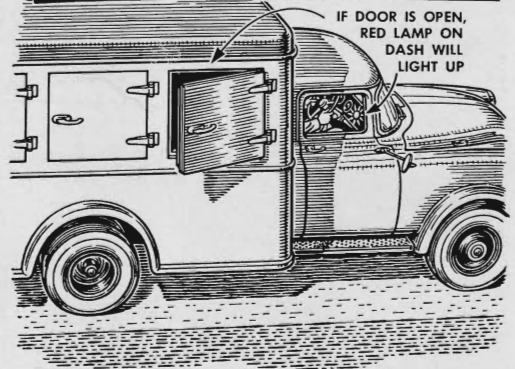
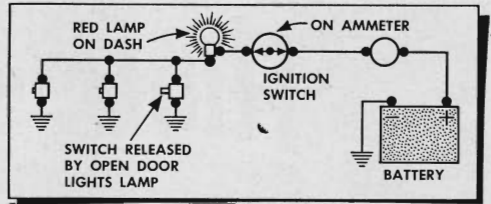


If the terminal marks on a battery are worn, attach two wires to it and hold their ends in a drop of battery acid, salt water or saliva. Move the wires close together and bubbles will form around the one that leads to the battery's negative terminal.

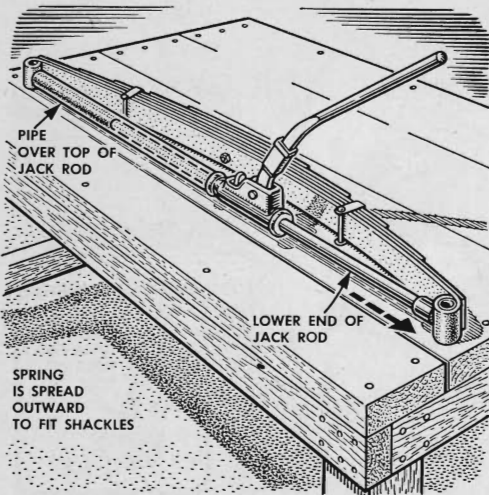
MORE Hints from the Model Garage



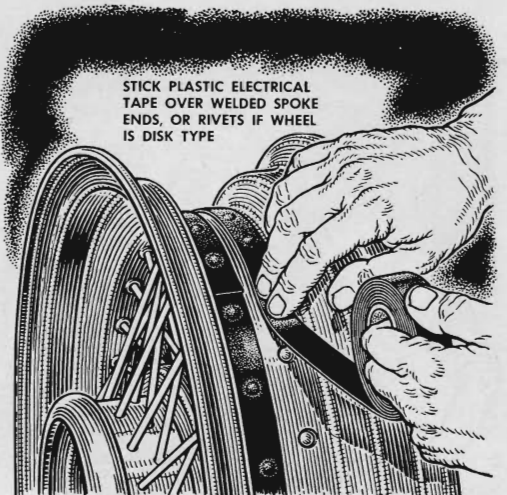
This welded angle-iron bumper doubles as a trailer hitch and rear step for a light pickup truck. The assembly was welded to $\frac{1}{4}$ " steel plates bolted to the truck's frame. The ends were shaped by cutting a V notch, bending the angle, and then welding the joint. A ball hitch for a trailer was mounted in the center of the bumper.



Truck owners may save a costly lawsuit by mounting an indicator light on the dash to tell when a van or freezer door is swinging open. Install a push-button switch (the type used on passenger-car doors) on each door and wire them through the ignition switch so that the light won't go on while the truck is being loaded.



Leaf springs can be installed easily by spreading their ends outward with a bumper jack to line up the eyes with the shackle holes. Slip a length of pipe over the top half of the jack bar and work the ratchet against it.



When mounting tubeless tires on standard rims, seal the heads of the rivets or spokes with plastic electrical tape to prevent possible air leaks. Clean the rim, and apply the tape evenly to avoid throwing the wheel out of balance.